

Brown Reinwater

JOHN J. MANNING
7510 N. HERMITAGE HGL. 9863

INSTRUCTION MANUAL
for
BROWN RAINWATER
THE *PO Box 666*
PENSACOLA FLA
NATIONAL MODEL
HRO-50

**RADIO RECEIVING
EQUIPMENT**

An Outstanding Communications Receiver
of proven integrity and performance in
Commercial and Amateur stations.



PRICE 30 CENTS

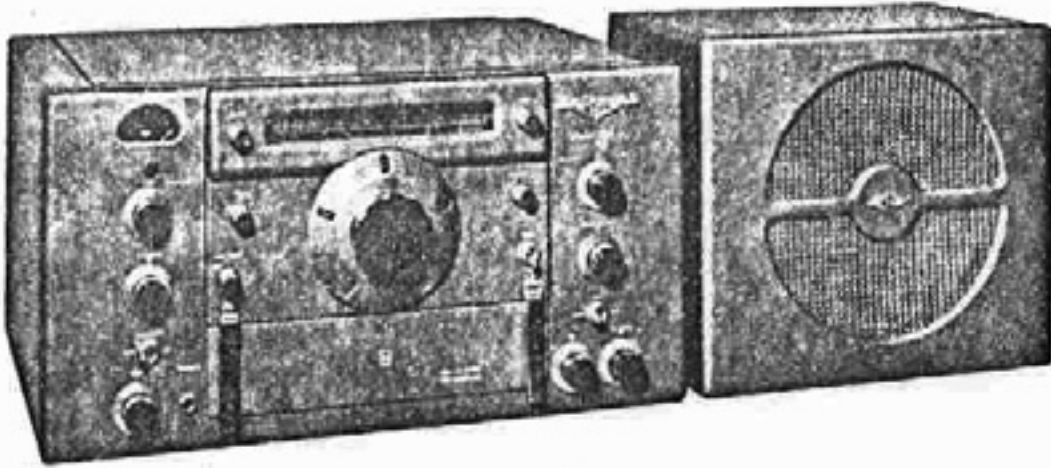


Reworked by
PAØPGA

This manual was downloaded from BAMA's
boatanchor site <http://bama.sbc.edu>



National
ND



HRO-50 Receiver

FEATURES . . .

- Tuning Range 50-430 Kcs. and 480-35,000 Kcs.
- Direct Frequency Reading Slide-Rule Dial
- Twelve Tuning Bands Accurately Calibrated
- Calibrated Bandsread for 10-11, 15, 20, 40 and 80 meter Amateur Bands
- High Sensitivity — Exceptional Stability
- Excellent Signal to Noise Ratio
- Flexible Crystal Filter with Six Positions of Selectivity
- Automatic, Adjustable Threshold, Double Action Noise Limiter
- High-Fidelity, Push-Pull Audio Amplifier
- Provisions for mounting N.B.F.M. Adaptor and Crystal Calibrator Units within Receiver
- Temperature Compensation
- Plug-In Coils for Efficiency and Flexibility
- Built-In Power Supply

National Company, Inc.



THE HRO-50 RADIO RECEIVER

SECTION 1. DESCRIPTION

1-1. GENERAL

The HRO-50 is a deluxe Radio Receiver featuring performance and versatility. Fifteen tubes, including a rectifier and a voltage regulator tube, are utilized in a superhetrodyne circuit for the reception of code and phone signals throughout its frequency range of 50 to 430 kilocycles and 480 to 35,000 kilocycles. The HRO type Receivers have long been outstanding and proven performers in Communication and Amateur services. This new series of HRO-50 Receivers feature many desirable innovations emanating from the latest advances in receiver circuitry and mechanical design. It is housed in a new and enlarged cabinet styled in an attractive gray finish with a self-contained power supply adequately isolated from the R.F. circuits. A calibrated, illuminated slide-rule dial provides direct reading in megacycles for each of the General Coverage coil sets as well as an additional bandspread scale for those coil sets incorporating this feature. A front-panel mounted oscillator trimmer control is provided to assure precise calibration. Of course, the dial-driving mechanism still features the micrometer dial. Temperature compensation and voltage regulation of the high-frequency oscillator as well as utilization of ceramic insulation in the coil sets and associated connecting brush blocks provide stable operation and freedom from drift. A single front-panel mounted Control switch selects any one of the four modes of operation, C.W., Phone, Narrow-Band F.M. or Phono. Sockets are mounted on the receiver chassis to accommodate the National Type NFM-50 FM adaptor and the National Type XCU Crystal Calibrator Unit. These accessories may be permanently installed and switched On and Off by means of the front-panel switches. At the rear of the Receiver sockets are available for external use of the National Type SOJ-3 Select-O-Ject and National Type 650S Vibrator Power Supply or battery power supply. The S-Meter circuit is designed so that the operator may adjust the sensitivity of the S-Meter. A push-pull audio system delivers the utmost in audio frequency response and undistorted power output from the built-in output transformer. Other highlights include a six position crystal filter, maximum bandspreading of the amateur bands, a quick-acting bandspread switch, dimmer control for the slide-rule dial and S-Meter lamps.

A standard equipment consists of a Receiver, Loudspeaker and coil sets A, B, C and D. Coil sets Type E, F, G, H, J, AA, AB and AC may be obtained as desired. Accessories available include the National types NFM-50 Narrow-Band F.M. adaptor, XCU Crystal Calibrator, SOJ-3 Select-O-Ject and 650-S Vibrator Power Supply.

1-2. CIRCUIT

For all frequency ranges the circuit utilizes two tuned stages of radio frequency amplification, a tuned mixer stage, a high-frequency oscillator employing a tube separate from the mixer tube, a first intermediate frequency amplifier stage employing a variable-selectivity crystal filter and a conventional second intermediate frequency amplifier both operating at 455 kilocycles, a combined second detector-automatic volume control stage, an S-Meter amplifier, a double-action adjustable threshold double-diode noise limiter, a first audio amplifier, a phase inverter, a push-pull audio amplifier and a beat frequency oscillator coupled to the second detector to provide for C.W. reception.

All voltages required by the Receiver are supplied by a built-in power supply. A voltage regulator tube is used to regulate the plate supply to the high-frequency oscillator and the S-Meter amplifier stages.



1-3. ANTENNA INPUT

Antenna input terminals are provided at the rear of the Receiver. The input circuit is suitable for operation with a single-wire antenna, a balanced feed line or a low impedance 72-ohm unbalanced concentric transmission cable. The actual antenna input impedance is between 300 and 600 ohms depending on the frequency of the input signal.

1-4. TUBE COMPLEMENT

The HRO-50 Receiver is supplied complete with tubes which are tested in the Receiver at the time of alignment.

The tubes employed are as follows:

		<i>Review</i>
First R.F. Amplifier	6BA6	EF 93 } 2
Second R.F. Amplifier	6BA6	
Mixer	6BE6	ER 90 } 1
High-Frequency Oscillator	6C4	EL 90 } 1
First I.F. Amplifier	6X7	
Second I.F. Amplifier	6X7	} 2
Second Detector - A.V.C.	6H6	
Noise Limiter	6H6	} 2
S-Meter Amplifier - Phase Inverter	6SN7GT	/
First A.F. Amplifier	6SJ7	/
Audio Output (2)	6Y6GT	/
Beat Frequency Oscillator	6J7	/
Voltage Regulator	0B2	/
Rectifier	5Y4G	/

1-5. TUNING SYSTEM

The frequency coverage of the HRO-50 is covered in twelve bands as follows:

COIL SET	GENERAL COVERAGE	BANDSPREAD
A	14.0 - 30.0 Mc.	27.0 - 30.0 Mc.
B	7.0 - 14.4 Mc.	14.0 - 14.4 Mc.
C	3.5 - 7.3 Mc.	7.0 - 7.3 Mc.
D	1.7 - 4.0 Mc.	3.5 - 4.0 Mc.
E	900 - 2050 Kc.	
F	480 - 960 Kc.	
G	180 - 430 Kc.	
H	100 - 200 Kc.	
J	50 - 100 Kc.	
AA		27.5 - 30 Mc.
AB	25 - 35 Mc.	
AC		21.0 - 21.5 Mc.

As shown above plug-in coil set types AA, AC, A, B, C and D provide bandspread coverage of the 10-11, 15, 20, 40 and 80 meter amateur bands. The AA, AC, B, C and D bands are spread out so as to cover 400 dial divisions while the A band is spread 430 divisions on the 500 division main tuning dial. This is accomplished by switching a small variable capacitor in series with each section of the main tuning capacitor, thus reducing its effective capacity range. All of the coil sets are factory aligned in the Receiver using accurate crystal-controlled test oscillators thus assuring precise alignment.



The micrometer type dial drives the main tuning capacitor through a worm drive having a reduction ratio of approximately 20 to 1. Backlash is eliminated by the use of a spring-loaded split worm wheel which assures positive drive in either direction at all times. This dial has an effective scale length of approximately twelve feet and is calibrated from zero to 500.

A slide-rule type dial is synchronized with the micrometer dial by means of an anti-backlash gear and an efficient string drive arrangement to the main tuning dial. A dial drum provides a means of mounting eight scales. Each of these scales is calibrated in megacycles for the general coverage and/or bandspread frequencies depending on the coil set. Mounted on the front panel is a band selector switch for ease in rotating the dial drum to select the proper band scale to correspond to the coil set in use. Each scale is clearly marked with the band designation. Two pilot lamps are used, one at each end of the dial scale drum, for illumination. The degree of illumination is controlled by the front-panel mounted Dimmer control.

1-6. CRYSTAL FILTER

The selectivity characteristics of the HRC-50 are made adjustable by means of a crystal filter. Located in the first intermediate frequency amplifier this crystal filter is designed for extreme flexibility and efficiency of operation. A six-position Selectivity switch and a crystal Phasing control are front-panel mounted for adjustment of the filter. Figure Number 1. shows the selectivity characteristics of the Receiver for each of the six positions of selectivity.

The crystal filter may be used for either C.W. or phone reception; any degree of selectivity from true single-signal to wide band A.M. broadcast reception being available. Operation of the Phasing control provides for efficient suppression of interfering C.W. signals or M.C.W. signals which may produce objectional heterodynes.

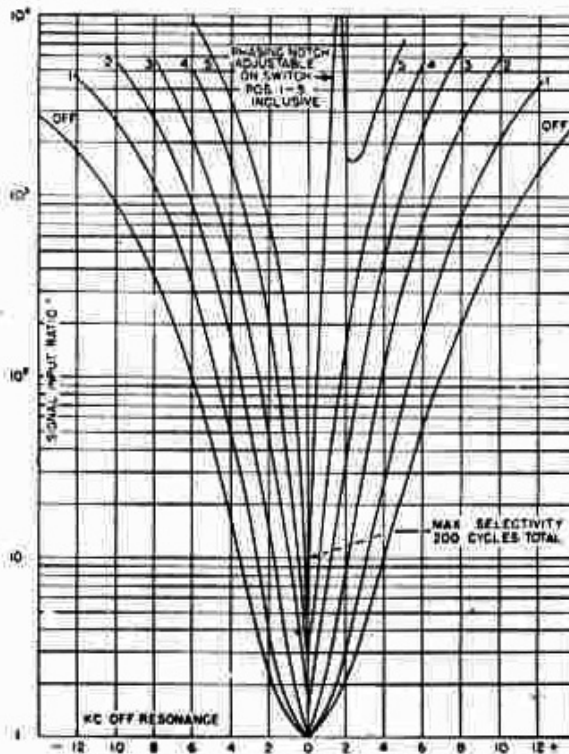


Figure No. 1. Crystal Filter Selectivity Curves



1-7. NOISE LIMITER

The noise limiter in the HRO-50 Receiver uses an automatic type double-action circuit resulting in limiting noise pulses on both the positive and negative peaks. It is equally effective on both C.W. and phone reception. The usefulness of this limiter will be most appreciated on the higher frequency bands of the Receiver when automobile ignition noise and other high frequency disturbances are effectually suppressed. A threshold control on the front panel permits adjustment of the level at which limiting action starts.

1-8. TONE CONTROL

The Tone control circuit has been especially designed to provide a versatile variance of the frequency characteristics of the audio amplifier output. In the extreme counter-clockwise position the greatest degree of high audio frequency response is obtained. Rotating the control clockwise until the switch mounted on the control just closes provides a comparatively flat response over the entire usable audio frequency range. Further clockwise rotation will result in the high audio frequencies being attenuated as illustrated in Figure Number 2. This control is particularly helpful when receiving weak signals through interference. If a signal is weak and partially obscured by background noise or static, an improvement in signal-to-noise ratio will be obtained by rotating the Tone control in a clockwise position thereby attenuating the higher audio frequencies.

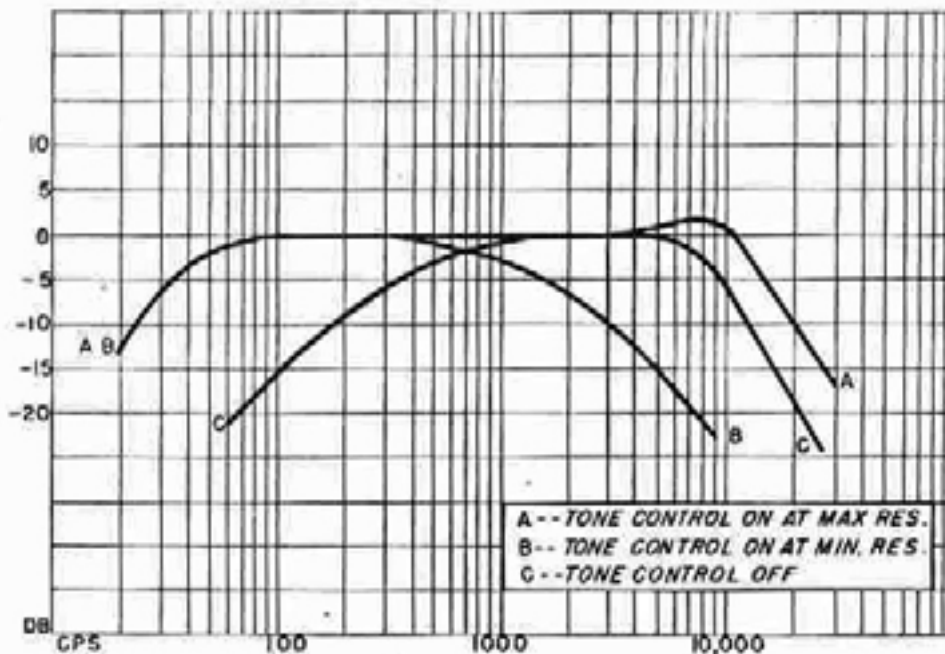


Figure No. 2. Audio Amplifier Response

1-9. TEMPERATURE COMPENSATION

The HRO-50 is compensated for frequency drift due to temperature changes which may detune the Receiver from the desired signal over long or short periods of reception. The most objectionable cause of frequency drift is the change of inductance of the high-frequency oscillator coil as heat from the tubes causes the interior of the Receiver to increase in temperature. This undesirable heating effect in the R.F. coils is minimized by the position of the plug-in coil sets in that they are placed



at the bottom of the Receiver underneath the chassis in a separately shielded compartment. A further safeguard against frequency drift is provided for on bandspread operation. The heat which is dissipated in the high-frequency oscillator may change the inter-electrode capacity of the tube and thus cause frequency drift. To offset this effect a small negative temperature coefficient capacitor is placed adjacent to the high-frequency oscillator tube to compensate for any change caused by the internal heating of the tube.

The coil set terminal connecting boards of each shielded coil can as well as their mating brush blocks have been made of ceramic type material. As a result freedom from any possible leakage due to poor insulation assures a low degree of drift. This will be found especially true of the coils operating at the higher frequencies.

1-10. SIGNAL STRENGTH METER

Signal input readings are indicated in S-units from 1 to 9 and in decibels above S-9 from zero to 40 db. on the panel-mounted signal strength meter. A reading of S-9 is obtained with an input signal of approximately 25 microvolts. The meter employs a zero to 1 milliamperes movement with its mechanical zero at 40 db. on the dial scale. The S-Meter is connected in series with the plate input of the S-Meter Amplifier tube V-8A and measures the plate current of this tube. With the A.C. supply switch On and the A.V.C. switch set at A.V.C. the S-Meter will read zero in the absence of signal input. A variable resistor is shunted across the meter and with no antenna connected this resistor allows correct adjustment of the pointer to its electrical zero. Any increase in A.V.C. voltage caused by signal input will give a corresponding increase in the meter reading. At the 40 db. meter reading the A.V.C. grid voltage applied reaches the cut-off point of the amplifier tube. Therefore the pointer cannot be harmed by violent contact with the full-scale meter pin. For the purpose of comparing strong signals (which cause the meter to contact the full-scale meter pin) with other stronger and/or weaker signals the sensitivity of the S-Meter may be lowered by retarding the R.F. Gain control. The meter dial lamp illumination is regulated by a Dimmer control mounted on the front panel of the Receiver.

1-11. NARROW-BAND F.M. SOCKET

A standard octal socket, X-1, is mounted inside of the Receiver on the center portion of the power supply compartment chassis. It is designed to mount the National Type NFM-50 Narrow-Band F.M. adaptor. A Control switch is front-panel mounted to provide a means of switching the adaptor into the output of the intermediate amplifier circuit. With the Control switch set at the N.F.M. position the receiver is adjusted for the reception of narrow-band F.M. signals. With the A.V.C. switch set at A.V.C. the S-Meter is operative in the N.F.M. position and the Receiver should be tuned for maximum meter reading to assure efficient operation. Further information concerning the NFM-50 unit is contained in a separate data sheet at the rear of this manual.

1-12. CRYSTAL CALIBRATOR SOCKET

The Crystal Calibrator socket, X-2, is of the standard octal type mounted on top of the power supply compartment chassis inside of the Receiver. It is designed to accommodate a National Model XCU Crystal Calibrator. The Model XCU is compactly constructed and furnished with a drive screw clamping arrangement to hold it firmly in place. A double-pole, three-position toggle type front-panel mounted Calibrate switch marked 100-Off-1000 provides a means of connecting B-plus to the unit for instantaneous use. At the same time by using this toggle switch a resonant crystal-controlled frequency of either 100 or 1000 kcs. may be selected. The output of



this unit is loosely coupled to the first R.F. amplifier stage through the socket wiring. Further information concerning the Model XCU unit is covered by a separate data sheet included at the rear of this manual.

1-13. SELECT-O-JECT SOCKET

The Select-O-Ject socket, X-3, is a standard octal type socket accessible at the rear of the Receiver. It is primarily designed to accommodate a National Model SOJ-3 Select-O-Ject unit. The mating plug attached to the SOJ-3 permits a direct connection into this socket in place of the audio-jumper plug originally plugged into the Select-O-Ject socket. By proper adjustment of the controls any single audio frequency selected in the range of approximately 80 to 10,000 cycles may be boosted or rejected. Detailed instructions for proper operation of the Select-O-Ject are contained with the unit.

For convenience a source of 6.3 V.A.C. filament voltage, a 240 V.D.C. high voltage as well as the 105 V.D.C. regulated voltage is available for operation of external apparatus. The Schematic diagram, Figure Number 13 shows a pin view of the Select-O-Ject socket thus providing the information necessary for making the proper connections. External equipment **MUST NOT** be utilized if the Narrow-Band F.M. adaptor, Crystal Calibrator and Select-O-Ject units are all operated at the same time. Consideration must also be given to the fact that the 105-volt regulated power supply cannot be switched off by the B+ On-Off switch.

1-14. PHONO INPUT JACK

A Phono Jack is mounted at the rear of the Receiver and can be used for connecting auxiliary apparatus, such as a record player pick-up or microphone into the audio system of the Receiver. This input circuit is of high-impedance providing a suitable match for such external equipment into the high-gain first audio amplifier stage. The front-panel mounted Control switch must be set at the Phono position when using the Phono jack. Both the A.F. Gain and Tone controls are operative with this type of operation.

The majority of record player pick-ups are terminated in a single shielded wire. The Phono jack on the HRO-50 is the type that accommodates a standard phono tip plug and if the record player to be used is not fitted with such a plug one can easily be attached. If the output circuit of the record player is of low impedance (less than 100,000 ohms) improved efficiency will be obtained if a suitable resistor, with a value as specified for the particular record player, is connected across the phono tip plug or its mating jack to properly load the record player output circuit.

1-15. AUDIO OUTPUT

The HRO-50 features a push-pull output amplifier using inverse feed-back. See Figure No. 2 for the audio system response characteristic. The matching transformer located inside the Receiver provides two audio output circuits as follows:

(1) The transformer secondary leads are brought to a three-terminal Output board located at the rear of the Receiver, having both 8 and 500-ohm terminals and a common ground terminal. The eight-ohm terminal provides output for the speaker or voice coil. The 500-ohm terminal is available for connection to a 500-ohm line. Approximately 8 watts of undistorted audio output power is available at the output terminal board and a maximum power of 10 watts is obtainable.

(2) A headphones jack is front-panel mounted and is wired so as to silence the Loudspeaker upon insertion of the headphones plug. The headphones output



load impedance is not critical and varying types of headphones may be used including crystal types, as no direct current flows through the headphones.

1-16. POWER SUPPLY

The power supply is built in a separate compartment inside of the Receiver cabinet incorporating a heat-resistant shielded barrier isolating it from the R.F. chassis portion. It is designed for operation from a 110/120 or 220/240-volt, 50/60 cycle A.C. supply source. A toggle switch is mounted on top of the chassis for selection of either 110/120 or 220/240-volt operation. Normal power consumption is approximately 115 watts. The built-in power unit supplies all of the voltages required by the heater and B supply circuits, 4.5 amperes at 6.3 volts and 125 milliamperes at 240 volts respectively. In addition this supply is also capable of furnishing all voltages required by the accessories such as the NFM-50, XOU and SOJ-3. A 2-ampere fuse is connected in one side of the A.C. input supply to protect the Receiver circuits against possible voltage surges in the power line or short circuits in the Receiver. It is located at the rear of the Receiver and easily removed for examination or replacement.

A Power Socket, X-4, is provided at the rear of the Receiver so that either a battery or vibrator power supply may be utilized for portable or emergency service. The National Type 650S Vibrator Power Supply is designed to provide efficient operation of the Receiver with the use of a 6-volt storage battery input. Further information concerning the 650S is contained at the rear of this manual on a separate data sheet.

1-17. LOUDSPEAKER

The HRO-50TS or HRO-50RS Loudspeakers in table or rack mounting styles respectively are designed for use with the Receiver. These are both permanent-magnet type Loudspeakers furnished with a shielded connecting cable from the 8-ohm voice coil for connection to the output terminal board located at the rear of the Receiver. If desirable a 500-ohm shielded line may be used from the Receiver output terminals to the speaker and/or externally operated equipment. In event of a dynamic type loudspeaker being used external means for supplying field excitation voltage will be necessary.

A cabinet furnished to match the Receiver design houses the HRO-50TS Loudspeaker for table mounting. The cabinet is lined with sound absorbent material to avoid mechanical resonance.

SECTION 2. INSTALLATION

2-1. GENERAL

All HRO-50 Receivers are supplied with the following eight scales mounted on the slide-rule dial drum, irrespective of the type of coil sets ordered, A, B, C, D, E-F, AA, AB and AC. If a coil set or coil sets are ordered with the Receiver and the corresponding scale does not appear on the dial drum it will be found packed with the coil set. The new scale is installed in place of any one of the unused scales previously mounted on the dial drum. Two Phillips head type screws, one at each end of the scale, hold it properly in place. The drum scales for the A, B, C and D coil sets are frequency calibrated in megacycles for both of the available ranges i. e., General Coverage and Bandspread. The E and F coil set ranges are on



the same scale, while the remaining scales carry just the one frequency range calibrated in megacycles. Each scale is clearly marked with the band designation.

2-2. LOCATION

The Receiver should not be installed in small, unventilated or warm spaces. Wherever practicable placement should be made to allow freedom of air circulation on all four sides. The Loudspeaker may be located in any desirable position although it is not recommended that it be placed on top of the Receiver as undesirable microphonics may result. The Loudspeaker should not be placed near the antenna terminals.

2-3. ANTENNA RECOMMENDATIONS

The radio frequency input of the Receiver is designed for operation from either a single-wire antenna or other types employing transmission lines having impedances of 70 ohms or more. There is an antenna terminal panel at the rear of the Receiver with three screw-type terminals marked A, A and G respectively. A link is provided on the antenna terminal panel to allow connection of two-wire or single-wire type antennae to the Receiver.

For best impedance matching to the Receiver input circuit an antenna with a 300 to 600 ohm transmission line is recommended. The antenna should be cut to the proper length for the most used frequency. The antenna transmission line feeders should be connected to the two antenna terminals marked A; the grounding link is not used. It must be remembered, however, that an antenna installation of this type will have maximum efficiency over a band of frequencies near that frequency for which it is designed and will be most useful in installations where the Receiver is tuned to one frequency or band of frequencies. For other frequencies, it would be desirable to connect the two transmission line leads together at the antenna terminal at the left of the antenna terminal panel, grounding the other terminal by means of the link. The antenna is thus utilized as a single wire type.

The most practical antenna for use in installations where the Receiver is to be used over a wide range of frequencies is the single-wire type. An antenna length of from 50 to 100 feet is recommended. The antenna lead-in should be connected to the antenna terminal marked A at the left of the antenna terminal panel; the other terminal marked A should be grounded by means of the link.

When a doublet is used, the antenna feeders or balanced transmission line are connected to the two terminals marked A. The grounding link is not used.

The inner conductor of a concentric transmission line should be connected to the terminal marked A at the left of the antenna terminal panel. The outer conductor should be connected to the other terminal marked A and grounded by means of the link to G.

In some cases where a doublet antenna is used with a low impedance concentric or other type transmission line it may be necessary to re-trim the first R.F. amplifier at the high end of each band to provide a better impedance match between antenna and receiver input circuit. Paragraph 4-6 describes this procedure.

In an installation where the Receiver is to be used as the receiving unit in a transmitting station the most efficient operation will result from use of the transmitting antenna as receiving antenna also. This is especially true if the transmitting antenna is of the multi-element, directional type since the same antenna gain



is available for both receiving and transmitting - a very desirable condition. For switching the antenna from Receiver to transmitter, an antenna change-over relay should be used. A double-pole, double-throw relay possessing good high-frequency insulation is suitable. A second relay and a three position switch may be used to control the transmitter plate supply and the Receiver B+ circuits. This second relay should be a single-pole single-throw type having one normally open pair of contacts. The schematic diagram of this type of control circuit is shown in Figure 3. With S-1 in the receive position the antenna transmission line is connected to the Receiver by contacts 2, 3, 5 and 6 on relay RY-1; the B+ circuit of the Receiver is completed by the switch. (The B+ switch on the Receiver should be at B+ Off). With the switch in the transmit position RY-1 contacts 1, 3, 4 and 6 are closed transferring the antenna transmission line to the transmitter; contacts 7 and 8 of relay RY-2 close to complete the plate supply circuit to the transmitter. Contacts 7 and 8 of relay RY-2 should be in series with the primary of the transmitter plate supply transformer. Thus, the station is in the receiving condition with switch S-1 in the receive position and in the transmitting condition with S-1 in the transmit position. With S-1 in the mid-position the Receiver B+ circuit and transmitter plate supply circuit are both open thus permitting coil set changing in the Receiver and transmitter. In the mid-position the Receiver B+ circuit is controlled by the B+ switch on the front panel of the Receiver.

NOTE

The high-frequency oscillator, C.W. oscillator 5-Meter amplifier and the push-pull audio output amplifier are not affected by the external relay connections to the B.S.W. terminal block. Unless the A.C. On-Off switch is set at Off these circuits will obtain an uninterrupted B-plus supply.

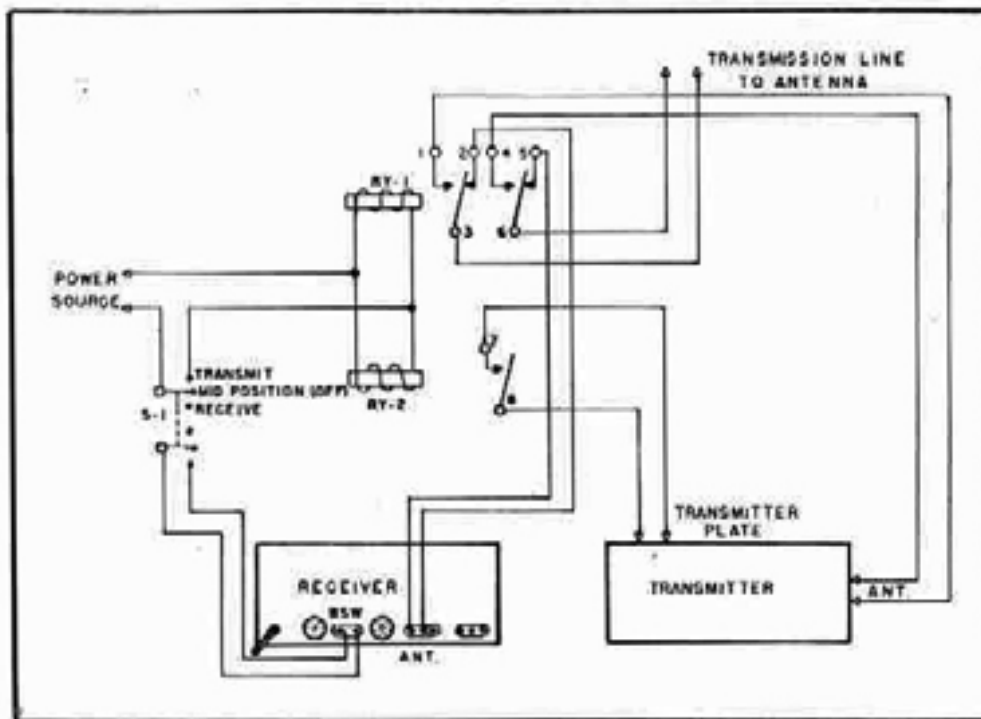


Figure No. 3. Typical Antenna Switching System



2-4. A.C. OPERATION

After unpacking the HRO-50 Receiver and associated equipment proceed as follows:

- (1) Make sure that all tubes are firmly seated in their sockets, tube clamps are properly in place and all grid clips securely fastened.
- (2) Make sure the plug-in coil set used in the Receiver is firmly in position by pressing down the lever-type handles on the front panel to their maximum vertical position.
- (3) Make sure that the front-panel mounted Control switch is set in the proper position. This switch provides four operating positions, C.W., A.N., N.F.M. or Phono.
- (4) Connect the antenna as recommended in Section 2-2.
- (5) Connect the Loudspeaker cable to the Output terminal board at the rear of the Receiver. This is accomplished by connecting the outer shield lead to the common terminal and the other to the 8-ohm terminal. A 500-ohm terminal is also available on the Output terminal board in cases where a 500-ohm line is utilized for Loudspeaker connection.
- (6) Connect the Receiver A.C. line cord to the proper source of voltage. The Primary switch, S-10, must be set at the position corresponding to the line voltage to be used i.e., 110/120 or 220/240 volts, 50/60 cps.
- (7) Set the controls as recommended in Section 3 for reception of signals.

NOTE

Where the Receiver is located in the R.F. field of a relatively powerful transmitter, it is advisable to provide some means of preventing damage to the Receiver R.F. coil. If a separate receiving antenna is used a means of disconnecting or grounding it during transmission periods should be provided.

2-5. BATTERY OPERATION

The HRO-50 is readily adaptable for emergency, portable operation or operation in localities where a 115 or 230-volt A.C. power source is not available. It may be operated directly from batteries or a National Type 650S Vibrator Power Supply designed for operation from a 6-volt storage battery. The Type 650S power unit draws 9.0 amperes at 6-volts when furnishing power to the Receiver if the Narrow-Band F.M. Adaptor, Crystal Calibrator and Select-O-Ject units are not used. If these plug-in units are utilized typical operating conditions and power consumption data will be found in Section 6.

The Schematic Diagram Figure Number 13 illustrates pin connections of the Receiver Power socket, X-4. This provides the information necessary for wiring the octal type battery plug which is used in place of the regular A.C. jumper plug. To conserve battery power the battery plug must be disconnected when the Receiver is not being used. For stand-by operation in all cases it is recommended that a switch be placed in the battery B-plus lead as the B-plus switch in the Receiver does not open the B-plus circuit supplying the high-frequency oscillator, C.W.



oscillator, S-Meter Amplifier or the push-pull audio output tubes. A suggested refinement is to include a switch in the A-plus input lead so that the tube heaters may be turned off when the Receiver is not in use without the necessity of removing the battery plug from the Power socket.

2-6. ACCESSORY SOCKETS

Three octal type sockets are available for additional accessories as follows:

(1) A N.B.F.M. socket, X-1, is mounted on top of the chassis inside the power supply compartment. A National Type NFM-50 Narrow-Band F.M. adaptor is designed to fit into this socket and is supplied with a mounting bracket and drive screws to hold it firmly in place. The front-panel mounted Control switch, S-7, provides a means of switching the NFM-50 unit into instant service, as required.

(2) A Crystal Calibrator socket, X-2, is top chassis mounted in the power supply compartment. This socket is wired to accommodate a National plug-in Type XCU Crystal Calibrator Unit. A slotted head screw arrangement bolts the unit firmly in place. The front panel Calibrate switch provides a means of applying B-plus to the unit as well as the selection of either a 100 or 1000 kc. marker signal.

(3) A Select-O-Ject socket, X-3, of the standard octal type is mounted so as to be accessible from the rear of the Receiver. This socket is designed primarily for the use of a National Model SOJ-3 Select-O-Ject unit. The SOJ-3 is fitted with an interconnecting cable and plug for direct connection to the Select-O-Ject socket.

Reference to the Schematic Diagram will show the various connections made to the socket if it is desired to use the voltages available for accessories other than the Select-O-Ject. It will be noted that B+ (240 V.D.C. and 105 V.D.C. regulated) and filament voltages are available. There is a definite limitation on the drain permissible at this socket. The total permissible drain (if the NFM-50, XCU and SOJ-3 are not used) is 1.5 amps. at 6.3 V.A.C., 2.5 milliamperes at 240 V.D.C. and 5 milliamperes at 105 V.D.C. If the 105-volt supply is used it must be remembered that it cannot be switched Off by the B+ On-Off switch or external switching devices connected to the B.S.W. panel unless an additional relay is used.

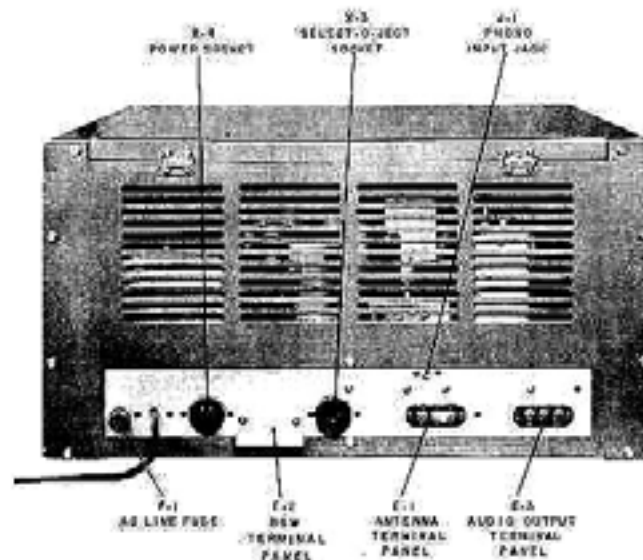


Figure No. 4. Rear View of Receiver



SECTION 3. OPERATION

3-1. CONTROLS

All controls are identified by front-panel markings for ease of identification. The controls are located in a symmetrical manner and are arranged for ease of operation.

The main tuning HRO type micrometer dial is arranged so that the frequency to which the Receiver tunes increases as the dial reading increases. The slide-rule dial pointer mechanism is synchronized with the main tuning dial using an anti-backlash gear plus an efficient string-drive arrangement to provide an accurate relationship between the main tuning dial and the direct frequency calibrated scales on the slide-rule drum assembly. Front-panel mounted is a Band selector switch for switching the proper scale in place for the coil set to be used.

The R.F. Gain control serves to adjust the amplification of the second R.F., first I.F. and second I.F. amplifier stages. Maximum sensitivity is obtained by rotating the control knob to the extreme clockwise position (10) on its circular scale. At the extreme clockwise position all tubes are operating at maximum gain with minimum bias. As the control is rotated counter-clockwise, increasing bias is applied to the cathodes of the second R.F., first I.F. and second I.F. tubes, thus reducing their amplification.

The A.C. On-Off switch is associated with the A.F. Gain control and A.C. power is turned on as the A.F. Gain control is advanced from A.C. Off to zero on its scale.

The B+ On-Off switch is connected in the positive lead of the power supply circuit and its purpose is to disconnect the B-plus during periods of transmission or **WHEN CHANGING COIL SETS**. This last function is important. The B+ circuits are completed when the switch is set at On. However, the B-plus circuits of the high-frequency oscillator, S-Meter amplifier, C.W. oscillator and push-pull audio output tubes remain On at all times regardless of the position of the B+ On-Off switch providing the A.C. On-Off switch is set at On.

Connected in parallel with the B+ switch and mounted at the rear of the chassis is a pair of contacts marked B.S.W. intended for use with relay control of the Receiver. The B.S.W. panel is covered by a metal shield to prevent accidental contact with the terminals by the operator. Two slots are provided in this shield to bring out wires to connect to an external switch or relay. Care should be taken that these wires for external connection do not short to the B.S.W. shield.

The Phasing control and Selectivity switch are part of the crystal filter. When the Selectivity switch is set at Off the crystal is switched out of the circuit. With the crystal switched out the Phasing control has no influence on Receiver performance. With the Selectivity switch set at any point between 1 and 5, inclusive, the crystal filter is in operation, selectivity increasing as the switch is progressively advanced in position 5. The Phasing control is then used to balance the crystal bridge circuit and eliminate interfering signals or heterodynes. It is recommended that the Tone control be rotated counter-clockwise until the switch is turned Off. This will provide optimum reception of the high audio frequencies when using the crystal filter for A.M. reception. The resultant boost of the higher frequencies tends to compensate for the side-band cutting action of the crystal filter.

The C.W. oscillator is turned on by setting the front-panel mounted Control



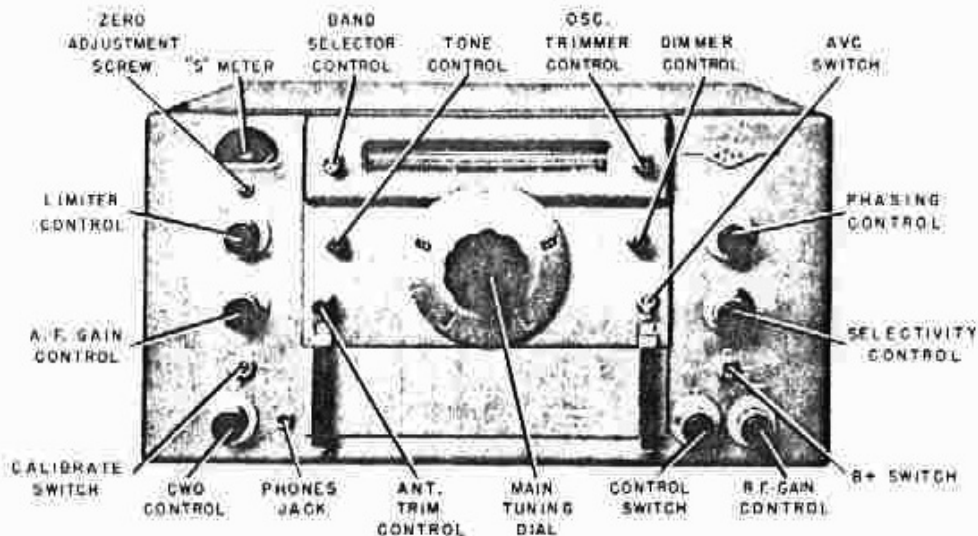


Figure No. 5. Front View of Receiver

switch at the C.W. position. The C.W.O. control provides a vernier tuning adjustment for the C.W. oscillator transformer. This oscillator is used to produce an audible beat note when receiving C.W. signals or to locate the carrier of a weak phone station. With the Control switch set at the C.W. position B-plus is applied to the C.W. oscillator tube providing a constant B-plus supply regardless of the B+ On-Off switch setting or the B.S.W. external control devices. Normally the C.W.O. control is set at zero, however by rotating it either to the right or left of zero the operator can select an audio tone suitable to the ear, or he may set the control for best reception. The C.W. code characters are made audible through the heterodyning action of the C.W. oscillator with that of the incoming signal. Care should be taken to retard the R.F. Gain control to a point where the receiver does not overload.

The Limiter control serves to switch on the limiter and, following this, to adjust the threshold at which limiting action starts. With the Limiter control turned on (at position 0 on the dial scale) limiting action automatically takes place at a relatively high percentage modulation. Rotating the control clockwise progressively lowers the threshold, or percentage modulation, at which limiting action starts until maximum clipping is achieved at 10. This limiter is double-action in that limiting is accomplished by clipping of both positive and negative peaks. Limiting action is equally effective for both phone or C.W. reception.

The Tone control is used to vary the audio frequency characteristic of the audio system. In the extreme counter-clockwise position the greatest degree of high audio frequency response is obtained. Rotating the control clockwise until the switch mounted on the control just closes provides a comparatively flat response over the entire usable audio frequency range. Rotating the control further in a clockwise position will attenuate the high audio frequencies as shown in Figure Number 2. If a signal is weak and partially obscured by background noise or static an improvement in signal-to-noise ratio is possible by the attenuation of the higher audio frequencies. Excessive attenuation of these frequencies, however, may result in an impairment of A.M. speech intelligibility. When receiving C.W. signals it will be possible to advance the Tone control considerably further than is possible in A.M. reception since audio distortion is relatively unimportant.

The A.V.C. switch is a two-position toggle marked A.V.C.-Off. The automatic



volume control circuits are operative with the toggle switch in the A.V.C. or upper position.

The A.F. Gain control adjusts the volume level of the signal at both the Phones jack and Loudspeaker terminals. Clockwise rotation of this control increases the signal applied to the grid of the first audio amplifier tube. The A.F. Gain control is operative when an audio signal is applied to the Phono input jack with the Control switch set at the Phono position.

A Bandspread switch is mounted on the A, B, C and D coil sets. Inspection of the coil set ceramic terminal panels will show a silver-plated spring metal strip with a slotted center screw. Four silver-plated contacts are provided on the terminal panels; two for each type of reception i. e., General Coverage or Bandspread. The metal strip may be turned either to the right or left thereby selecting the type of reception required. A spring tension detent arrangement provides for proper placement and a firm trouble-free electrical contact in each position. It is only necessary to switch this from the left to the right hand side to change from General Coverage to Bandspread. The lower calibrated scale on the slide rule dial is used when operating in the Bandspread position. A typical coil set showing adjustment locations is illustrated in Figure Number 7 contained in Section 4.

The Ant. Tris. control operates a tuning capacitor which is connected across the first R.F. amplifier section of the main tuning capacitor. This trimmer control is used to tune the first R.F. amplifier stage properly under a wide variety of antenna loading conditions over the entire frequency range of the receiver.

The Dimmer control is a variable resistor actuated by a front-panel mounted dial. It is connected in series with one of the filament supply wires to the S-Meter and slide-rule dial pilot lamps and furnishes a means of varying the degree of illumination as desired by the operator.

The front-panel mounted Osc. trimmer control drives a variable air capacitor connected in parallel with the oscillator main tuning capacitor. Assuming that the Receiver is properly aligned this compensating trimmer may be used for minor calibration adjustments. Calibration can be checked by the use of accurate crystal-controlled test oscillators or by using the National Model XCU Crystal Calibrator. Use of the Osc. trimmer should not be attempted until the Receiver has had a warm-up period of at least five minutes.

A four position Control switch is mounted on the front panel of the Receiver. In the C.W. position the C.W. oscillator is placed in operation. The A.M. position provides normal reception of phone or broadcast signals. In the N.F.M. position the reception of narrow-band F.M. signals is possible provided a National Type NFM-50 adaptor is plugged into the N.B.F.M. socket. With the Control switch in this position the adaptor is connected between the output of the intermediate amplifier and the input of the audio system. When the Control switch is set in the Phono position the Phono Jack is connected to the input of the audio amplifier. In the Phono position all of the Receiver circuits except the audio system are rendered inoperative. The A.F. Gain and Tone controls remain operative. If it is so desired the record player may remain connected to the Receiver and normal receiving operation resumed by setting the Control switch to any of the other positions.

3-2. PHONE RECEPTION

After the HRO-50 is properly installed as outlined in Section 2, it is placed in operation by the following adjustments:



1. Set the Control switch at A.M.
2. Set the A.V.C. switch at A.V.C.
3. Set the Selectivity switch at Off.
4. Set the Phasing control at zero.
5. Set the Limiter control at Off.
6. Set the R.F. Gain control at 10.
7. Check the position of the Osc. trimmer control pointer. It is aligned at the factory so that proper calibration is obtained with the pointer in a vertical position with the arrow head pointed to the "S" in the Osc. panel engraving.
8. Turn the A.C.-On-Off switch mounted on the A.F. Gain control to On i.e., zero on the dial scale.
9. Set the Receiver B+ switch at On.
10. Adjust the Band control to select the scale corresponding to the plug-in coil set in use.
11. Turn the A.F. Gain control to the position giving the desired audio volume.
12. Adjust the Ant. Trim. control for a maximum S-Meter reading after the desired station has been selected. Alternately in the absence of a signal the Ant. Trim. control may be set for maximum receiver background noise.
13. Turn the Tone control to a position giving the desired audio output response for the signal tuned in.

The Receiver is now adjusted for the reception of phone signals and will tune to the frequency corresponding to the plug-in coil set in use and the setting of the main tuning dial. If a dual-coverage plug-in coil set is used the position of the Bandsread switch, as previously described in paragraph 1 of this section, will determine the frequency coverage i.e., General Coverage or Bandsread.

The settings given above are of necessity for the reception of signals of average strength. Exceptionally strong or weak signals may require modification of the above settings. Very strong signals may cause overload or distortion in the Receiver with the R.F. Gain control at 10. In this case retarding this control slightly until the overload or distortion disappears is recommended. However, the operator must remember that automatic volume control action will be restricted unless the R.F. Gain control is fully advanced. Audio output should be adjusted entirely by means of the A.F. Gain control.

The A.V.C. - Off switch may be set at the Off position to provide increased sensitivity in some cases. With such a setting the operator must be careful not to advance the R.F. Gain control to a point where I.F. or audio amplifier overload occurs. Such overload is indicated by distortion.

Various types of interference which may be encountered due to adverse receiving conditions can be minimized by utilization of the following controls in the manner described.

Noise Limiter -- When a signal is accompanied by static peaks or noise pulses of high intensity and short duration, the best signal-to-noise ratio will be obtained by turning On the Limiter control. In general, it will be found that turning the Limiter control On to 0 on the dial scale will effectively minimize interference caused by external noise pulses. In cases where the noise pulses are extremely pronounced a higher degree of noise suppression will be realized by advancing the Limiter control to a higher dial setting.

Tone control -- An improvement in signal-to-noise ratio can be realized by setting the Tone control to attenuate the high audio frequencies. When receiving weak



signals which are partially obscured by background noise or static an improvement in reception will be noticed by rotating the Tone control in a clockwise manner. However, too much attenuation of the high audio frequencies may impair the intelligibility of speech.

Selectivity and Phasing -- The selectivity of the Receiver is adjusted by means of the crystal filter Selectivity switch. The normal setting of the Selectivity switch in phone or broadcast reception is at one of the positions affording broad selectivity. Positions marked Off, 1 or 2 are recommended. Selectivity may be progressively increased by turning the Selectivity switch to position 3, 4 or 5. Increasing selectivity will result in the attenuation of the higher audio frequency tones of the signal as well as sharper tuning. If the selectivity is increased too much these higher frequency audio tones will be attenuated to such an extent that phone or broadcast reception may become unintelligible due to excessive side-band cutting. The Phasing control is part of the crystal filter and is used to eliminate or attenuate interfering heterodynes. The Phasing control is inoperative with the Selectivity switch set in the Off position but is operative in all other settings. The normal setting of the Phasing control with the crystal filter On i.e., the Selectivity switch set at 1, 2, 3, 4 or 5 in phone reception is at zero on its scale. If after a desired signal has been tuned in an interfering signal causes a heterodyne or whistle the Phasing control should be adjusted until this interference is reduced to minimum. The setting of the Phasing control should be that which provides a maximum attenuation of the objectionable heterodyne. If the heterodyne is below 1,000 cycles the optimum Phasing control setting will be near either one or the other end of the dial scale, depending upon whether the interfering signal has a higher or lower frequency than the desired signal.

3-3. C.W. RECEPTION

The initial adjustment of the Receiver controls for C.W. reception is the same as given in Section 3-2 except for the following:

1. Set the Control switch at C.W.
2. Set the A.V.C. switch at Off. It is important that the A.V.C. switch is turned Off for C.W. operation since the Receiver will block and become extremely insensitive if this is not done.

For the reception of C.W. signals the action of the crystal filter is similar to that for phone reception except that full use of the sharp selectivity position may be used without the loss of intelligibility experienced in phone reception. When maximum selectivity is used, (Selectivity switch at position 5) care must be exercised since tuning is very critical. When the Receiver is slowly tuned across the carrier of the received signal the beat-note produced will be very sharply peaked in output at a particular audio pitch. This peak in response indicates the correct Receiver dial setting. The setting of the C.W.O. control must be such that the beat-note peak is well within the audible range so that the receiver peak response may be readily observed. A C.W.O. dial setting near zero is recommended. After the Receiver has been correctly tuned, the pitch of the beat-note peak may be adjusted by means of the C.W.O. control to provide an audio tone which is pleasing to copy or coincides with any response peaks in the speaker or headphones. Under these conditions, the Receiver will exhibit pronounced single-signal properties which may be demonstrated by tuning the Receiver to the other side of "zero-beat" so that the pitch is the same as before and observe the marked reduction in output. This dial setting is not recommended for use other than to demonstrate the single-signal properties of the Receiver. With the Receiver tuned to "crystal peak", an interfering signal may be attenuated by proper setting of the Phasing control since



this control has little effect on the desired signal.

Similar to phone reception the Limiter control can be used to great advantage in C.W. reception for the reduction of interference due to external noise pulses. For C.W. reception, however, the Limiter control may be set at a well advanced position on the dial scale as excessive clipping of the modulation peaks will not be experienced as might be the case in phone reception. Also the Tone control may be advanced considerably further for C.W. reception since audio distortion is relatively unimportant.

3-4. N.B.F.M. OPERATION

The HRO-50 Receiver is adaptable for Narrow-Band F.M. reception by utilizing a National Type NFM-50 Narrow-Band F.M. adaptor. Operating instructions as given in paragraph 3-2 of this Section are applicable for the reception of narrow-band F.M. signals except that the Control switch must be set at N.F.M. It is recommended that when the operator is scanning a band for signals that the Control switch is set at A.M. An F.M. signal is indicated by the presence of an audio null in the center of the signal carrier. When an F.M. signal is encountered the Control switch should then be set at N.F.M. and with the A.V.C. switch set at A.V.C. the signal tuned for maximum S-Meter reading.

3-5. MEASUREMENT OF SIGNAL STRENGTH

To measure the strength or intensity of a signal the R.F. Gain control must be advanced to 10, the Control switch set at A.M. and the A.V.C.-Off switch at A.V.C. The crystal filter should be turned Off by means of the Selectivity switch and the Phasing control set at zero. The Ant. Trim. control should be adjusted for a maximum S-Meter Reading after a signal has been tuned in. The Limiter, Tone and A.F. Gain controls do not affect the S-Meter reading.

Tuning the Receiver to a signal will cause the S-Meter to read, indicating the signal input in S-units from 1 to 9 and in decibels above the S-9 level from zero to 40 db. With no R.F. input to the Receiver, or with the antenna disconnected, the S-Meter should read zero plus or minus one-half an S-unit. If it does not the S-Meter circuit compensator requires adjustment. See Section 4-7 for adjustment procedure.

Design of the S-Meter actuating circuit is such that a signal stronger than 40 db. above S-9 cannot cause the meter pointer to come in violent contact with the full-scale meter stop pin thus preventing the possible bending of the meter pointer.

For the purpose of comparing strong signals, which cause the meter pointer to read full scale, with other stronger and/or weaker signals the sensitivity of the S-Meter may be lowered by retarding the R.F. Gain control.

Measurements of the signal strength of C.W. signals cannot be made with the C.W. oscillator in operation.

With the Receiver A.C.-On-Off switch set at Off the meter pointer will return to its mechanical zero located on the right hand or 40 db. end of the meter.



SECTION 4. ALIGNMENT DATA

4-1. GENERAL

All circuits in the HRO-50 Receiver are carefully aligned before shipment using precision test equipment insuring accurate conformability to the alignment frequency. No realignment of the various adjustments will be required unless the Receiver is tampered with or component parts or tube replacements have been necessary.

A definite need for realignment can be determined by checking the performance of the Receiver against its normal operation as outlined in Section 3. A simple check to assure the need of realignment of the I.F. Amplifier is provided in paragraph 4-2. of this section. In no case should realignment be attempted unless tests indicate that such realignment is necessary. Even then it must be remembered that the HRO-50 is a communications Receiver and should not be serviced or realigned by any individual who does not have a complete understanding of the functioning of the equipment and who has not had previous experience adjusting receivers of this type.

Complete alignment of the Receiver can be divided into three steps as follows:

- (a) Intermediate Frequency Amplifier alignment including crystal filter adjustments.
- (b) General Coverage Alignment
- (c) Bandspread Alignment

All circuits must be tuned in the above order when complete alignment is required. All alignment adjustments and controls are shown on Figure Numbers 6, 7 and 10.

4-2. I.F. AMPLIFIER CHECK

The making of any adjustment indiscriminately is cautioned against and no circuit should be realigned unless tests definitely indicate that realignment is necessary.

The alignment of the intermediate frequency amplifier may be easily checked in the following manner:

1. Adjust the Receiver for normal operation with the antenna disconnected.
2. Connect a pair of headphones to the Phones Jack.
3. Set the A.V.C. switch at Off.
4. Set the Control switch at C.W.
5. Set the Phasing control at zero.
6. Set the Selectivity switch at 5.
7. Set the R.F. Gain control at 10.

The setting of the A.F. Gain control does not affect the measurement and may be adjusted to provide sufficient headphone output to make the required observations. Adjust the C.W.O. control until a point is found where the predominant pitch of the background noise is lowest and a distinct crystal ring is heard. Note this setting of the C.W.O. control. Disconnect the crystal filter from the circuit by turning the Selectivity switch to the Off position. Once more adjust the C.W.O. control for the lowest predominant pitch of background noise and note the setting. If the I.F. amplifier is correctly aligned to the crystal filter frequency the



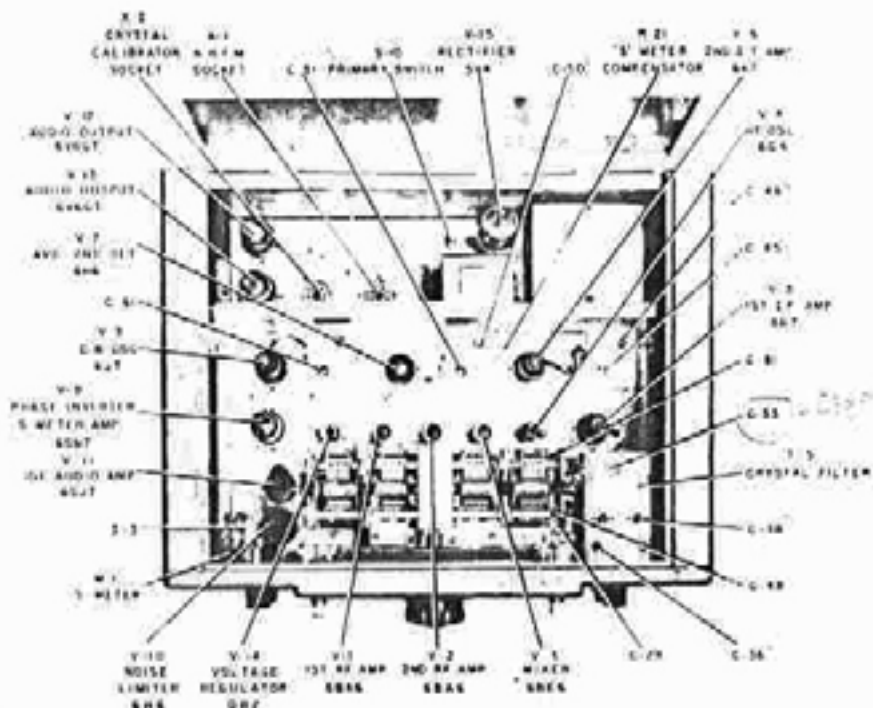


Figure No. 6, Top View of Receiver

setting of the C.W.O. control will be the same for both tests outlined above. If the two settings differ perform the complete I.F. Amplifier alignment procedures in following paragraph 4-3.

4-3. I.F. AMPLIFIER ALIGNMENT

The intermediate frequency of the HRO-50 is 455 kilocycles plus or minus 2 kilocycles. The exact frequency is determined by the quartz crystal resonator, Y-1, used in the crystal filter.

The I.F. transformers, crystal filter and C.W. oscillator transformer are fitted with individual air-type variable trimmer capacitors for alignment purposes. These adjustments are located on Figure Numbers 6 and 10.

The preliminary alignment procedure is as follows:

- (1) Connect the high output lead of an accurately calibrated signal generator to the stator portion of the mixer section of the main tuning capacitor, C-5C, and the grounded lead to any convenient point on the chassis. This is a direct connection.
- (2) Connect an output meter having an 8 or 500 ohm resistive load to the matching output terminals on the Receiver. As an alternative a high-impedance A.C. voltmeter may be connected to the phones jack.
- (3) Set the Control switch at C.W.
- (4) Set the A.V.C. switch at Off.
- (5) Set the Phasing control at zero.
- (6) Set the Selectivity switch at 5.
- (7) Set the A.F. Gain control at 10.
- (8) Set the H.F. Gain control at 9.
- (9) Turn the modulation of the signal generator off to provide a steady



C.W. test signal tuned to approximately 455 kilocycles.

Adjust the output attenuator of the signal generator to provide a signal of approximately 100 microvolts. The C.W.O. control must be set to provide an audio beat-note at some frequency between 400 and 1000 cycles per second. The presence of this beat note can readily be determined by temporarily connecting headphones or a Loudspeaker to the Receiver. If difficulty is encountered in obtaining such a beat-note an adjustment of the C.W.O. transformer trimmer capacitor, C-61, must be made.

Vary the tuning control of the signal generator very slowly between the frequencies of 453 and 457 kilocycles. At one frequency between these limits the I.F. amplifier of the receiver will show a very definite sharply peaked response, as indicated on the output meter. This frequency is that of the crystal filter crystal, Y-1, and I.F. alignment, as outlined below, is made at this frequency. *934. 453-5*

While making I.F. amplifier adjustments it will be necessary to retard the attenuator of the signal generator if I.F. amplifier gain increases to a point where overload occurs. Without altering the frequency setting of the signal generator set the Selectivity switch at Off, the Control switch at A.M. and turn the modulation of the signal generator On. The I.F. trimmer capacitors C-33, C-39, C-45, C-46, C-50 and C-51 should at this point each be carefully adjusted to give a maximum reading on the output meter. The order in which these adjustments are performed is not important.

Upon completion of the above adjustments set the Selectivity switch at 1. Set the frequency of the signal generator 2 kilocycles higher and adjust the crystal filter trimmer capacitor, C-33, for a maximum output meter indication. After making this adjustment set the Selectivity control at Off and return the signal generator to the exact crystal frequency (2 kilocycles lower). Tune the Selectivity compensating trimmer capacitor, C-38, for a maximum reading on the output meter.

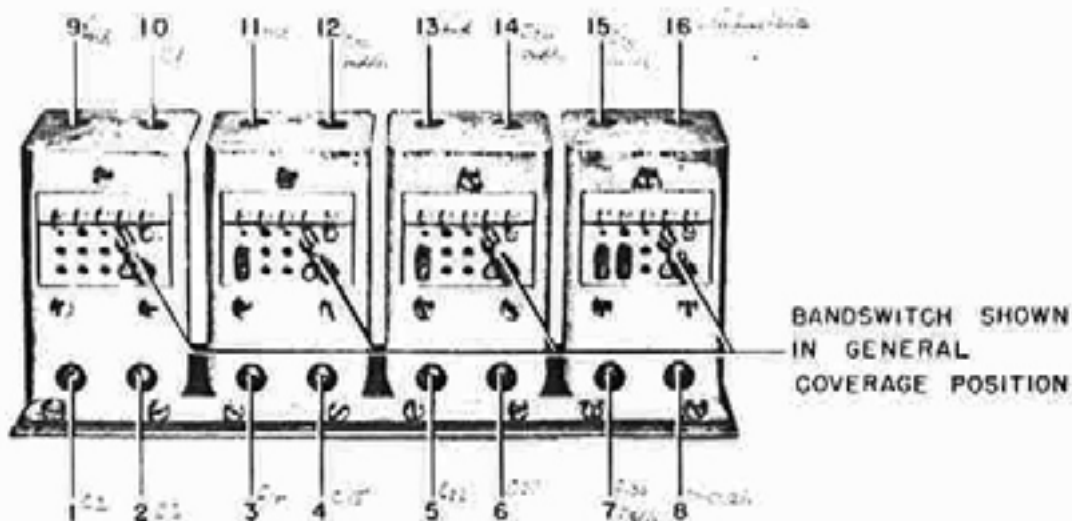
The Phasing control as set at the factory should need no further attention. When correctly set a predominant decrease in background level will be found with the Selectivity switch at position 5 and the Phasing control set at zero. This same null point should be found by rotating the Phasing control exactly 180 degrees. If not, a slight adjustment of the phase balancing capacitor, C-36, will provide the proper setting.

Turn the modulation of the signal generator Off and set the Control switch at C.W. Rotate the C.W.O. control to its full clockwise position. If in this position the dial control does not coincide with 5 on its scale loosen the dial knob and reset it at 5. Set the C.W.O. control to zero beat with the signal generator signal. If zero beat does not occur at 0 on the control dial carefully readjust the air trimmer capacitor, C-61, of the C.W. oscillator transformer, T-3.

4.4. GENERAL COVERAGE ALIGNMENT

The data given in this section applies to the General Coverage alignment of the H.F. oscillator and H.F. amplifier stages of all coil sets. The original alignment at the National Laboratories is accomplished by the use of precision, crystal-controlled test oscillators. No realignment should be attempted unless a reliable test signal source is available. In the case of General Coverage H.F. oscillator alignment, a test signal source with an accuracy of 1% or better is required. For Bandsread alignment the calibration accuracy demands that the test signal source have the accuracy of precision-calibrated crystals. The entire range





NOTE: INDUCTANCE ADJUSTMENTS AT POSITION NO. 16 ARE AS FOLLOWS:

1. A, B & C COIL SETS---LOOP OF WIRE INSIDE COIL FORM--- BENDING THE LOOP ONE WAY OR THE OTHER ADDS OR SUBTRACTS TO THE INDUCTANCE.
2. D COIL SET---ADJUSTABLE DISC INSIDE COIL FORM---MOVING THE DISC TOWARD THE CENTER OF THE COIL DECREASES INDUCTANCE.
3. E, F, G, H & J COIL SETS---A SHORT-CIRCUITED TURN OF WIRE AROUND THE OUTSIDE OF THE COIL---MOVING THIS TURN UP OR DOWN VARIES THE INDUCTANCE.

INDUCTANCE ADJUSTMENT AT POSITION NOS. 9, 11 & 13 OF COIL SETS A, B, C, D, AA, AB & AC IS A LOOP OF WIRE INSIDE COIL FORM--- BENDING THE LOOP ONE WAY OR THE OTHER VARIES THE INDUCTANCE.

Figure No. 7. Typical Coil Set Showing Alignment Adjustment Locations

of test frequencies required may be obtained by the use of nine crystals operating at their fundamental and harmonic frequencies. The frequency of these crystals is as follows: 0.05, 0.1, 1.0, 2.0, 3.5, 5.0, 6.8, 7.0, 7.3, 14.4 and 15 megacycles.

The need for realignment of the R.F. oscillator of any band is indicated when the frequency calibration of the Receiver dial is in error by more than 1% at the high frequency end of the band in question. If it is determined that realignment is necessary proceed as follows:

- (1) Connect an output meter to the Receiver as described in paragraph 4-3 of this Section and disconnect the antenna.
- (2) Set the Control switch at A.M.
- (3) Set the A.V.C. switch at Off.
- (4) Set the Selectivity switch at Off.
- (5) Set the R.F. Gain control at 10.
- (6) Set the Bandsread switch in the General Coverage position.
- (7) Set the A.F. Gain control to provide a suitable output level.
- (8) Check the position of the Ant. Trim, and Osc. trimmer controls.

Alignment should be made with both of the pointers on these controls in a vertical position with the arrow-head pointed towards the top of the Receiver.



The following Alignment Chart gives the step-by-step procedure to follow in effecting the General Coverage alignment of each coil set. It is important that the chart of adjustments is adhered to in the order shown. It will be noted that General Coverage alignment affects Bandspread alignment, but that adjustment of Bandspread alignment does not affect General Coverage.

Particular care must be taken when adjusting the high-frequency oscillator trimmer, C-26, in each coil set. It is imperative that the high-frequency oscillator is set to operate at a frequency above the R.F. amplifier frequency and not below. This can be checked by tuning in the image of the test signal which must appear 910 kilocycles lower on the Receiver dial. If it is found that the image does not appear at this dial setting the H.F. oscillator is incorrectly adjusted and the capacity of the trimmer capacitor, C-26, must be decreased until the image and fundamental signals appear at the proper points on the dial. After the high-frequency oscillator is correctly calibrated the R.F. amplifier trimmers, C-2 and C-15, and the mixer trimmer, C-21, should be adjusted for maximum receiver gain as measured by the output meter. Coil sets A and D do not use a first R.F. amplifier trimmer but are peak-tuned by the use of the Ant. Trim. control over the full frequency range of each coil set. It may be desirable to align the R.F. Amplifier trimmers, C-2 and C-15, and the mixer trimmer, C-21, using Receiver background noise as an indication of maximum gain, rather than the signal source. If this alternate method of alignment is used the point of maximum gain is that setting of the trimmers which provides the loudest Receiver background noise. However, it is possible to align the R.F. amplifier and mixer stages to the image frequency using background noise as an indicator. A check of this possibility is to tune in the image signal — if the image is weaker than the fundamental signal the R.F. amplifier and mixer stages are correctly aligned.

Correction of tracking errors of the R.F. amplifier and mixer stages at the low frequency limit of each coil set is accomplished by the adjustments listed on the Alignment Chart. The actual tracking of these stages may be checked by pressing the outside rotor plates of the main tuning capacitor section toward or away from the stator in a manner assuring that the rotor plates will spring back to their original position. Any change in capacity should decrease the Receiver gain if the stage is tracking properly.

The locations of the adjustments referred to on the General Coverage Chart are shown on Figure Number 7. Each variable on the chart is followed by a number in parenthesis to identify its position on the respective coil set. Schematic diagrams of each of the plug-in coil sets are furnished on Figure Numbers 11 and 12.



GENERAL COVERAGE CHART

Step	Coil Set	Adjust Signal Source and Receiver To:	Adjust to Receive Test Signal	Adjust for Maximum Output
1	A	30.0 Mc.	Trimmer capacitor C-26 (Pos. 8).	Trimmer capacitors C-21 (Pos. 6), C-15 (Pos. 4).
2	A	14.4 Mc.	Inductance at Pos. No. 16.	Inductance at Pos. Nos. 13, 11, 9.
3	A	30.0 Mc.		Check step 1. Repeat steps 1 and 2 if necessary.
1	B	14.4 Mc.	Trimmer capacitor C-26 (Pos. 8).	Trimmer capacitors C-21 (Pos. 6), C-15 (Pos. 4), C-2 (Pos. 2).
2	B	7.0 Mc.	Inductance at Pos. No. 16.	Inductance at Pos. Nos. 13, 11, 9.
3	B	14.4 Mc.		Check step 1. Repeat steps 1 and 2 if necessary.
1	C	7.3 Mc.	Trimmer capacitor C-26 (Pos. 8).	Trimmer capacitors C-21 (Pos. 6), C-15 (Pos. 4), C-2 (Pos. 2).
2	C	3.5 Mc.	Inductance at Pos. No. 16.	Inductance at Pos. Nos. 13, 11, 9.
3	C	7.3 Mc.		Check step 1. Repeat steps 1 and 2 if necessary.
	D	4.0 Mc.	Trimmer capacitor C-26 (Pos. 8).	Trimmer capacitors C-21 (Pos. 6), C-15 (Pos. 4), C-2 (Pos. 2).
2	D	1.8 Mc.	Inductance at Pos. No. 16.	Inductance at Pos. Nos. 13, 11, 9.
3	D	4.0 Mc.		Check step 1. Repeat steps 1 and 2 if necessary.



GENERAL COVERAGE CHART (CONT'D)

Step	Coil Set	Adjust Signal Source and Receiver To:	Adjust to Receive Test Signal	Adjust for Maximum Output
1	E	2.0 Mc.	Trimmer capacitor C-26 (Pos. 8).	Trimmer capacitors C-21 (Pos. 6), C-15 (Pos. 4).
2	E	1.0 Mc.	Padder capacitor C-100 (Pos. 7).	
3	E	1.4 Mc.	Inductance at Pos. No. 16.	
4	E	2.0 Mc.		Check step 1. Repeat steps 1, 2 and 3 if necessary.
1	F	0.9 Mc.	Trimmer capacitor C-26 (Pos. 8).	Trimmer capacitors C-21 (Pos. 6), C-15 (Pos. 4), C-2 (Pos. 2).
2	F	0.5 Mc.	Padder capacitor C-100 (Pos. 7).	
3	F	0.7 Mc.	Inductance at Pos. No 16.	
4	F	0.9 Mc.		Check step 1. Repeat steps 1, 2 and 3 if necessary.
1	G	400 Kc.	Trimmer capacitor C-26 (Pos. 8).	Trimmer capacitors C-21 (Pos. 6), C-15 (Pos. 4).
2	G	200 Kc.	Padder capacitor C-100 (Pos. 7).	
3	G	300 Kc.	Inductance at Pos. No. 16.	
4	G	400 Kc.		Check step 1. Repeat steps 1, 2 and 3 if necessary.



GENERAL COVERAGE CHART (CONT'D)

Step	Coil Set	Adjust Signal Source and Receiver To:	Adjust to Receive Test Signal	Adjust for Maximum Output
1	H	200 Kc.	Trimmer capacitor C-26 (Pos. 8).	Trimmer capacitors C-21 (Pos. 6), C-15 (Pos. 4), C-2 (Pos. 2).
2	H	100 Kc.	Padder capacitor C-100 (Pos. 7).	
3	H	150 Kc.	Inductance at Pos. No. 16.	
4	H	200 Kc.		Check step 1. Repeat steps 1, 2 and 3 if necessary.
1	J	100 Kc.	Trimmer capacitor C-26 (Pos. 8).	Trimmer capacitors C-21 (Pos. 6), C-15 (Pos. 4), C-2 (Pos. 2).
2	J	50 Kc.	Padder capacitor C-100 (Pos. 7).	
3	J	75 Kc.	Inductance at Pos. No. 16.	
4	J	100 Kc.		Check step 1. Repeat steps 1, 2 and 3 if necessary.
1	AA	30 Mc.	Trimmer capacitor C-26 (Pos. 7).	Trimmer capacitors C-21 (Pos. 5), C-15 (Pos. 3), C-2 (Pos. 1).
2	AA	27.2 Mc.	Padder capacitor C-25 (Pos. 8).	Padder capacitors C-20 (Pos. 6), C-14 (Pos. 4), C-1 (Pos. 2).
3	AA	28 Mc.	Inductance at Pos. No. 16.	Inductance at Pos. Nos. 13, 11, 9.
4	AA	30 Mc.		Check step 1. Repeat steps 1, 2 and 3 if necessary.



GENERAL COVERAGE CHART (CONT'D)

Step	Coil Set	Adjust Signal Source and Receiver To:	Adjust to Receive Test Signal	Adjust for Maximum Output
1	AB	35 Mc.	Trimmer capacitor C-26 (Pos. 8).	Trimmer capacitors C-21 (Pos. 6), C-15 (Pos. 4), C-2 (Pos. 2).
2	AB	25 Mc.	Padder capacitor C-100 (Pos. 7).	Padder capacitors C-99 (Pos. 5), C-95 (Pos. 3), C-97 (Pos. 1).
3	AB	30 Mc.	Inductance at Pos. No. 16.	Inductance at Pos. Nos. 13, 11, 9.
4	AB	35 Mc.		Check step 1. Repeat steps 1, 2 and 3 if necessary. Check step 1.
1	AC <i>21-21.5 Mc</i>	21.5 Mc.	Trimmer capacitor C-26 (Pos. 7).	Trimmer capacitors C-21 (Pos. 5), C-15 (Pos. 3), C-2 (Pos. 1).
2	AC	21 Mc.	Padder capacitor C-25 (Pos. 8).	Padder capacitors C-20 (Pos. 6), C-14 (Pos. 4), C-1 (Pos. 2).
3	AC	21.3 Mc.	Inductance at Pos. No. 16.	Inductance at Pos. Nos. 13, 11, 9.
4	AC	21.5 Mc.		Check step 1. Repeat steps 1, 2 and 3 if necessary. Check step 1.



4-5. BANDSPREAD ALIGNMENT

The data given in this section applies to the Bandspread Alignment of the high-frequency oscillator, R.F. amplifier and mixer stages of coil sets A, B, C and D. It is important that no Bandspread adjustments are made until after completion of General Coverage alignment as General Coverage adjustments affect Bandspread alignment.

The need for realignment of the H.F. oscillator of any band is indicated when the frequency calibration of the main tuning dial is in error by more than ± 5 divisions. To effect alignment the Receiver controls are adjusted the same as outlined in Section 4-4, except that the Bandspread switch on each of the plug-in coils must be in the right-hand or Bandspread position.

The procedure in effecting Bandspread alignment is accomplished by adhering to the instructions given in the Bandspread Alignment Chart. The procedure is similar to that for General Coverage except for the method followed in checking tracking errors of the R.F. amplifier and mixer stages at the low-frequency limit of each coil set. To secure an indication of proper tracking check the setting of the Bandspread trimmer capacitors C-3, C-16 and C-22 for the position of maximum Receiver gain. Any change in capacity should decrease the Receiver gain indicating proper tracking. The use of the trimmer capacitors C-3, C-16 and C-22 for a tracking check may destroy their proper settings therefore they must be carefully rechecked at the high-frequency limit of the coil set. The location of the adjustments referred to in this section are shown on Figure Number 7. Each variable on the chart is followed by a number in parenthesis to identify its position on the respective coil set. Schematic diagrams of each of the four combination Bandspread and General Coverage coil sets A, B, C and D are furnished on Figure Number 11.

4-6. FIRST R.F. STAGE ALIGNMENT WITH LOW IMPEDANCE TRANSMISSION LINE

If a low impedance transmission line is to be used with the Receiver, it may be necessary to realign the first R.F. amplifier at the high-frequency end of each band. The tracking of the first R.F. amplifier stage on each of the coil ranges may be checked by rotating the Ant. Trim. control. If two definite peaks in output are observed while rotating the Ant. Trim. control, the first R.F. amplifier stage is tracking correctly and the setting at either peak is correct. The lack of a peak in output or the presence of only one peak indicates the stage is not tracking properly and correction should be made. The General Coverage adjustments affect the Bandspread adjustments and must therefore be performed first. The following procedure should be adhered to:

(a) GENERAL COVERAGE

(1) Set the Bandspread switch on each coil to the left-hand side or General Coverage position. Adjust the Receiver for normal operation as follows: Control switch at A.M., Selectivity switch at Off, Ant. Trim. control pointer set in a vertical position with the arrow head towards the top of the Receiver, A.F. Gain control set at 10 and the R.F. Gain control set to provide a suitable signal level.

(2) Connect the antenna feeders to the Receiver antenna terminals and tune the Receiver to the signal shown in step 1 on the General Coverage Alignment Chart for the coil set to be aligned. Adjust the trimmer capacitor, C-2, for maximum signal output. Coil sets A and D do not use a first R.F. amplifier General Coverage trimmer but are peak-tuned by the Ant. Trim. control over the full frequency range of each coil set.



BANDSPREAD ALIGNMENT CHART

NOTE: Do not effect Bandspread Alignment until after completion of General Coverage.

Set	Coil Set	Adjust Signal Source and Receiver To:	Adjust to Receive Test Signal	Adjust for Maximum Output
1	A	30.0 Mc.	Trimmer capacitor C-27 (Pos. 7).	Trimmer capacitors C-22 (Pos. 5), C-16 (Pos. 3), C-3 (Pos. 1).
2	A	27.2 Mc.	Padder capacitor C-25 (Pos. 15).	Padder capacitors C-20 (Pos. 14), C-14 (Pos. 12), C-1 (Pos. 10).
3	A	30.0 Mc.		Check Step 1. Repeat Step 1 and 2 if necessary. Check Step 1.
1	B	14.4 Mc.	Trimmer capacitor C-27 (Pos. 7).	Trimmer capacitors C-22 (Pos. 5), C-16 (Pos. 3), C-3 (Pos. 1).
2	B	14.0 Mc.	Padder capacitor C-25 (Pos. 15).	Padder capacitors C-20 (Pos. 14), C-14 (Pos. 12), C-1 (Pos. 10).
3	B	14.4 Mc.		Check Step 1. Repeat Steps 1 and 2 if necessary. Check Step 1.
1	C	7.3 Mc.	Trimmer capacitor C-27 (Pos. 7).	Trimmer capacitors C-22 (Pos. 5), C-16 (Pos. 3), C-3 (Pos. 1).
2	C	7.0 Mc.	Padder capacitor C-25 (Pos. 15).	Padder capacitors C-20 (Pos. 14), C-14 (Pos. 12), C-1 (Pos. 10).
	C	7.3 Mc.		Check Step 1. Repeat Steps 1 and 2 if necessary. Check Step 1.
1	D	4.0 Mc.	Trimmer capacitor C-27 (Pos. 7).	Trimmer capacitors C-22 (Pos. 5), C-16 (Pos. 3), C-3 (Pos. 1).
2	D	3.5 Mc.	Padder capacitor C-25 (Pos. 15).	Padder capacitor C-20 (Pos. 14), C-14 (Pos. 12), C-1 (Pos. 10).
3	D	4.0 Mc.		Check Step 1. Repeat Steps 1 and 2 if necessary. Check Step 1.



GENERAL COVERAGE CHART

Step	Coil Set	Adjust Signal Source and Receiver To:	Adjust to Receive Test Signal	Adjust for Maximum Output
1	A	30.0 Mc.	Trimmer capacitor C-26 (Pos. 8).	Trimmer capacitors C-21 (Pos. 6), C-15 (Pos. 4).
2	A	14.4 Mc.	Inductance at Pos. No. 16.	Inductance at Pos. Nos. 13, 11, 9.
3	A	30.0 Mc.		Check step 1. Repeat steps 1 and 2 if necessary.
1	B	14.4 Mc.	Trimmer capacitor C-26 (Pos. 8).	Trimmer capacitors C-21 (Pos. 6), C-15 (Pos. 4), C-2 (Pos. 2).
2	B	7.0 Mc.	Inductance at Pos. No. 16.	Inductance at Pos. Nos. 13, 11, 9.
3	B	14.4 Mc.		Check step 1. Repeat steps 1 and 2 if necessary.
1	C	7.3 Mc.	Trimmer capacitor C-26 (Pos. 8).	Trimmer capacitors C-21 (Pos. 6), C-15 (Pos. 4), C-2 (Pos. 2).
2	C	3.5 Mc.	Inductance at Pos. No. 16.	Inductance at Pos. Nos. 13, 11, 9.
3	C	7.3 Mc.		Check step 1. Repeat steps 1 and 2 if necessary.
	D	4.0 Mc.	Trimmer capacitor C-26 (Pos. 8).	Trimmer capacitors C-21 (Pos. 6), C-15 (Pos. 4), C-2 (Pos. 2).
2	D	1.8 Mc.	Inductance at Pos. No. 16.	Inductance at Pos. Nos. 13, 11, 9.
3	D	4.0 Mc.		Check step 1. Repeat steps 1 and 2 if necessary.



cause of failure, excluding tubes, will probably be due to breakdown of a capacitor or resistor.

Bypass or filter capacitors which develop poor connections internally, or which become open-circuited, will cause decreased sensitivity, oscillation or poor stability. The defective unit can be located by temporarily connecting a good capacitor in parallel with each capacitor that is under suspicion.

Failure of any bypass or filter capacitor may seriously overload resistors in associated circuits. Overload of sufficient magnitude to permanently damage a resistor will cause the surface of the resistor to be scorched, making the defective unit easy to locate by visual inspection.

Open or short-circuited resistors can be definitely located by measuring the resistance of each individual resistor. The schematic diagram should be consulted to make sure that any particular resistor under test is not connected in parallel with some other circuit element which might produce a false measurement.

Loose connections which cause intermittent or noisy operation can often be found by tapping, or shaking any component under suspicion with the Receiver adjusted for normal operation.

5-3. STAGE GAIN MEASUREMENTS

The sensitivity measurements listed herein are made with the Receiver set up as specified in Section 3-2 except that the A.F. Gain control is set at 10. Connect an output meter with an impedance to match the Receiver output circuit i.e., 8 or 500 ohms to the output terminal panel in place of the Loudspeaker. It is important that the proper output impedance match be observed.

Connect the high output lead of the signal generator through a 0.01 mf coupling capacitor to the grid cap of each tube as specified in the following table. The ground lead of the generator is connected to any convenient chassis point.

The signal generator, using modulation, is varied between 453 and 457 kilocycles until a pronounced peak reading is obtained on the output meter.

With the generator attenuated to provide a one watt reading on the output meter the signal generator attenuator should read within the limits specified in the following table:

<u>TERMINAL</u>	<u>TEST SIGNAL</u>
Mixer Grid	100 * 25 Microvolts
First I.F. Grid	1800 * 100 Microvolts
Second I.F. Grid	20,000 * 5000 Microvolts

5-4. VOLTAGE TABULATION

All voltage measurements should be made using a high-impedance vacuum tube voltmeter. Readings taken with any other type of instrument will differ somewhat depending upon the input resistance of the meter. Voltmeter resistance should be ten times larger than the resistance of the circuit across which the voltage is measured otherwise the voltmeter will indicate a voltage lower than the actual voltage present. The tube socket voltage tabulations contained in Figure Number 8 were taken using a vacuum tube voltmeter with an input resistance of 11 megohms. All voltages are



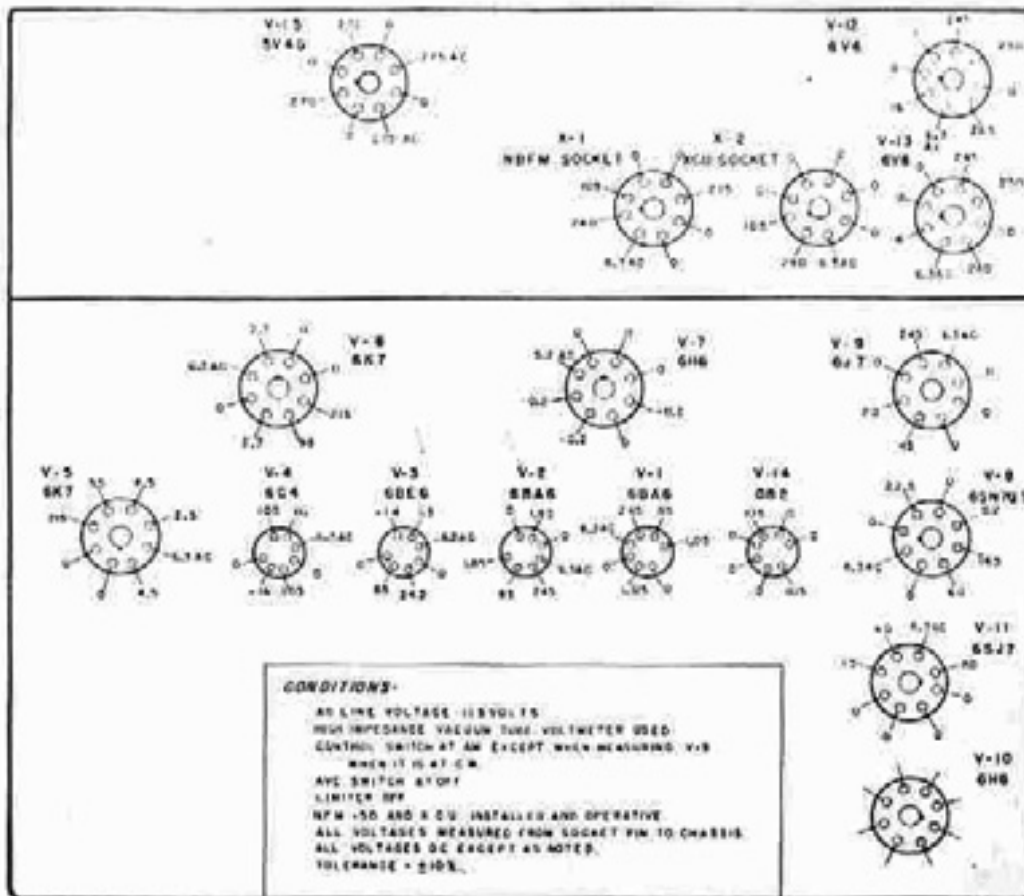


Figure No. 8. Tube Socket Voltages

measured between specified socket terminals and chassis. The control settings to be observed are shown on Figure Number 8.

5-5. MAIN TUNING DIAL

The main tuning dial should normally give no trouble. If, however, the dial should become removed from the Receiver it must NOT be operated until mounted on the capacitor shaft WITH SET-SCREWS TIGHT. This is because the dial is only designed to rotate for ten revolutions (0 to 500) and if turned farther than this the mechanism will be damaged. When mounted on the capacitor, limit stops protect the dial provided the assembly is made properly. The procedure for re-mounting the dial is as follows:

- (a) Place the dial on the capacitor shaft, tighten set-screws and turn dial counter-clockwise to fully mesh capacitor rotor plates so that the tips of the rotor plates are flush with the edge of the stator plates.
- (b) Loosen set-screws and rotate dial slowly until the dial reading has decreased to zero.
- (c) Tighten the set-screws.
- (d) Check position of rotor plates at zero. The tips of the rotor plates



must be flush with the edge of the stator plates. A slight adjustment may be necessary and this is done by loosening the set-screws, adjusting the position of the dial and tightening the set-screws again.

If it is necessary to remove the dial at any future time, turn to 250 before removing the dial and do not disturb the setting of either the dial or capacitor until reassembled. If in doubt about the correct position, inspect the springs on the back of the dial. When the dial reads 250 these springs should be straight-up-and-down, they must not be tipped to one side.

It is important that the backplate and dial do not become separated. The backplate is held in place by two springs so that its gear teeth mesh with the dial gear teeth in correct relationship for proper dial operation. If this backplate should be sprung out of place, it may return to an incorrect position and the proper dial numbers will not appear in the windows when the dial is used. To ascertain that the two parts are in correct position, proceed as follows:

- (a) Locate small window near outer periphery of dial backplate and also locate dial number window on face of dial which is 180° removed from the small backplate window.
- (b) Hold dial so backplate lies flat in palm of left-hand and with right hand rotate dial knob until 250 appears in previously located dial window.
- (c) If dial is properly adjusted it will be noted that the pointer at the outer edge of the small window lines up with a marked tooth on the dial itself. It will be found that the dial and backplate can be moved so that the backplate pointer will mesh between teeth at points equi-distant from marked tooth in either direction.
- (d) If by checking as in paragraph (c), the dial is found not properly adjusted, it will be necessary to separate the backplate from the dial far enough to bring the two gears out of mesh and then re-mesh the two parts until the proper setting is found. A number of trial settings may be required before the correct mesh is found.

5-6. SLIDE-RULE TUNING DIAL

The slide-rule tuning dial assembly has been adjusted at the factory for accurate synchronization with the micrometer dial. If not tampered with this mechanism will provide complete freedom of mechanical trouble over a long period of continuous use. It is driven by an anti-backlash tuning gear ganged with the main tuning dial. The slide-rule dial pointer is controlled by a string-drive assembly.

If replacement of the string-drive cord is required it will be necessary to remove the Receiver chassis from its cabinet or wraparound. Before removing the micrometer dial reference should be made to Paragraph 5 of this section for proper method of removal. Figure Number 9 illustrates the proper method of replacing the cord. After the cord has been replaced and before the Receiver is returned to its cabinet the micrometer dial should temporarily be replaced (See Paragraph 5-5.) and the slide-rule pointer correctly set in the following manner:

NOTE

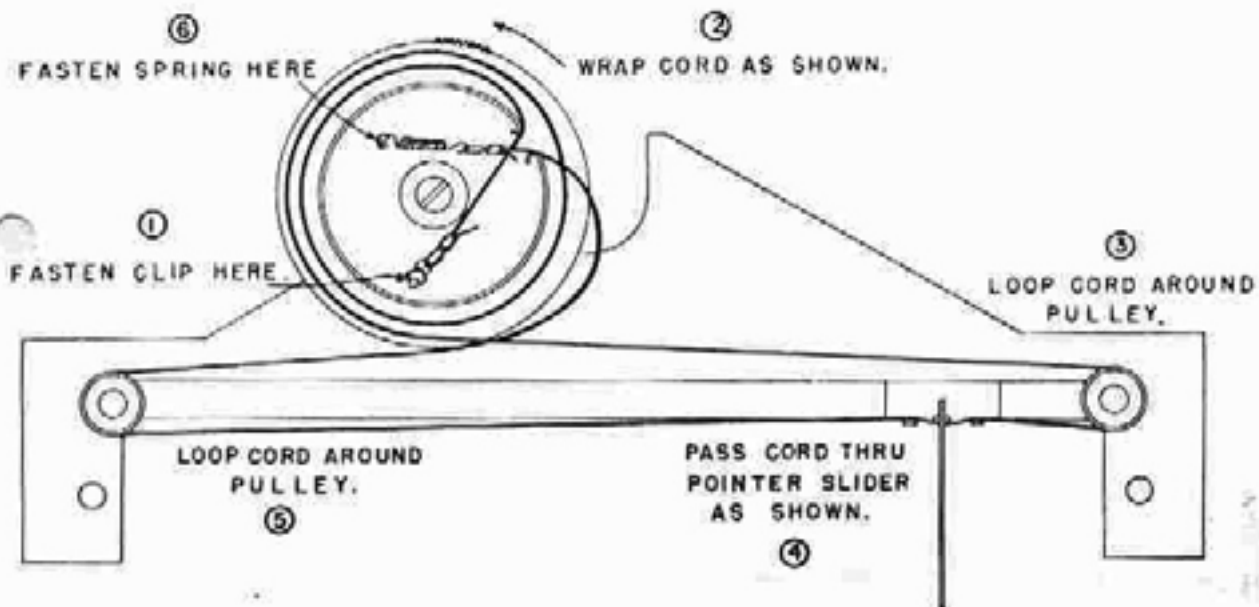
This procedure may also be used if a check is desired to assure that the slide-rule dial pointer is properly synchronized with that of the main tuning dial.



(a) Check the main tuning dial at zero on its dial scale. The tips of the rotor plates should be flush with the edge of the stator plates.

(b) Set the Band selector control so that the D coil set scale appears.

(c) Set the main tuning dial at 490 on its dial scale. Correct setting of the slide-rule dial pointer is 4 megacycles on the dial scale. Draw the slide-rule pointer along the cord to its proper position being careful not to disturb the setting on the micrometer dial. After the correct setting has been obtained use a small amount of glyptol or household cement to fasten the dial pointer securely in place on the cord.



NOTE: CORD SHOWN EXPOSED FOR CLARITY.
CORD LENGTH 33 7/8" INCLUDING
SPRING AND CLIP.

Figure No. 9. Instructions for Dial Cord Replacement.



PARTS LIST

SYMBOL	FUNCTION	DESCRIPTION	NAT. CO. TYPE
CAPACITORS			
C-1	T-1 Bandspread Padder used on A, B, C, D, AA and AC Coil sets	Variable, air dielectric	
C-2	T-1 General Coverage Trimmer used on B, C, F, H, J, AA, AB and AC coil sets	Variable, air dielectric	
C-3	T-1 Bandspread Trimmer used on A, B, C and D coil sets	Variable, air dielectric	
C-4	Antenna Trimmer	Variable, air dielectric	
C-5	Main Tuning	Four-section ganged, air dielectric, 225 mfd. max. per section	SA:6592
C-5A	V-1 Tuning	Part of C-5	
C-5B	V-2 Tuning	Part of C-5	
C-5C	V-3 Tuning	Part of C-5	
C-5D	V-4 Tuning	Part of C-5	
C-6	V-1 Grid Filter	Ceramic, .005 mfd., 450 vdcw	K946-1
C-7	V-1 Grid Filter	Ceramic, .005 mfd., 450 vdcw	K946-1
C-8	V-1 Grid Filter	Mica, .01 mfd., 300 vdcw	J666-56
C-9	V-1 Cathode Bypass	Paper, .1 mfd., 400 vdcw	D927-11
C-10	V-1 Screen Bypass	Ceramic, .005 mfd., 450 vdcw	K946-1
C-11	V-1 Screen Bypass	Paper, .1 mfd., 400 vdcw	D827-11
C-12	V-1 Plate Filter	Paper, .1 mfd., 600 vdcw	D827-13
C-13	V-2 Grid Return Bypass	Ceramic, .005 mfd., 450 vdcw	K946-1
C-14	T-2 Bandspread Padder used on A, B, C, D, AA and AC coil sets	Variable, air dielectric	
C-15	T-2 General Coverage Trimmer used on all coil sets	Variable, air dielectric	
C-16	T-2 Bandspread Trimmer used on A, B, C, D coil sets	Variable, air dielectric	
C-17	V-2 Cathode Bypass	Paper, .1 mfd., 400 vdcw	D827-11
C-18	V-2 Screen Bypass	Ceramic, .005 mfd., 450 vdcw	K946-1
C-19	V-2 Plate Filter	Paper, .1 mfd., 600 vdcw	D827-13
C-20	T-3 Bandspread Padder used on A, B, C, D, AA and AC coil sets	Variable, air dielectric	
C-21	T-3 General Coverage Trimmer used on all coil sets	Variable, air dielectric	
C-22	T-3 Bandspread Trimmer used on A, B, C, D coil sets	Variable, air dielectric	
C-23	V-3 Cathode Bypass	Paper, .1 mfd., 400 vdcw	D827-11
C-24	V-3 Screen Bypass	Paper, .1 mfd., 400 vdcw	D827-11
C-25	T-4 Bandspread Padder used on A, B, C, D, AA and AC coil sets	Variable, air dielectric	
C-26	T-4 General Coverage Trimmer used on all coil sets	Variable, air dielectric	
C-27	T-4 Bandspread Trimmer used on A, B, C, D coil sets	Variable, air dielectric	



PARTS LIST (CONT'D.)

SYMBOL	FUNCTION	DESCRIPTION	NAT. CO. TYPE
CAPACITORS (CONT'D.)			
C-28	T-4 General Coverage Padder		
	A coil set	Mica, .0012 mfd., 300 vdcw	J666-63
	B coil set	Mica, .0026 mfd., 500 vdcw	J666-61
	C coil set	Mica, .0016 mfd., 500 vdcw	J666-21
	D coil set	Mica, .0009 mfd., 500 vdcw	J666-62
	E coil set	Mica, 470 mmf., 500 vdcw	H500-18
	F coil set	Ceramic, 350 mmf., 500 vdcw	D825C-331
	G coil set	Ceramic, 100 mmf., 500 vdcw	D825C-304
	J coil set	Ceramic, 50 mmf., 500 vdcw	D825D-417
	AB coil set	Ceramic, 100 mmf., 500 vdcw	D825C-304
C-29	Calibration Adjustment Trimmer	Variable, air dielectric	
C-30	V-4 Grid	Ceramic, 100 mmf., 500 vdcw	D825D-421
C-31	V-4 Plate	Paper, .1 mfd., 400 vdcw	D827-11
C-32	V-4 to V-3 coupling	Mica, .01 mfd., 300 vdcw	J666-56
C-33	T-5 Primary Trimmer	Variable, air dielectric	
C-34	Bridge Balancing	Ceramic, 62 mmf., 500 vdcw	J695-3
C-35	Bridge Balancing	Ceramic, 47 mmf., 500 vdcw	J695-1
C-36	Phase Balance Adjustment	Mica, variable, 3.5 to 35 mmf.	D832-2
C-37	Phasing	Variable, air dielectric	SA:3655
C-38	Selectivity Compensator	Mica, variable, 3.5 to 35 mmf.	D832-2
C-39	T-5 output adjustment	Variable, air dielectric, 100 mmf.	SA:1841
C-40	Selectivity Adjusting	Ceramic, 5 mmf., 500 vdcw	D825D-401
C-41	Selectivity Adjusting	Ceramic, 10 mmf., 500 vdcw	D825D-426
C-42	Selectivity Adjusting	Ceramic, 10 mmf., 500 vdcw	D825D-426
C-43	V-5 A.V.C. Filter	Paper, .01 mfd., 600 vdcw	D827-7
C-44	V-5 Cathode Bypass	Paper, .1 mfd., 400 vdcw	D827-11
C-45	T-6 Primary Trimmer	Variable, air dielectric	
C-46	T-6 Secondary Trimmer	Variable, air dielectric	
C-47	V-6 A.V.C. Filter	Paper, .01 mfd., 600 vdcw	D827-7
C-48	Fixed, calibration padder	Ceramic, 10 mmf., 500 vdcw	D825D-437
C-49	V-6 Screen Bypass	Paper, .1 mfd., 400 vdcw	D827-11
C-50	T-7 Primary Trimmer	Variable, air dielectric	
C-51	T-7 Secondary Trimmer	Variable, air dielectric	
C-52	V-6 Plate Filter	Paper, .25 mfd., 600 vdcw	D827-19
J-53	V-7 Load	Ceramic, 270 mmf., 500 vdcw	J633-2
C-54	T-7 to V-7 Coupling	Ceramic, 100 mmf., 500 vdcw	D825D-421
C-55	A.V.C. Filter	Paper, .01 mfd., 600 vdcw	D825-7
C-56	V-9 to V-7 Coupling	Ceramic, 3 mmf., 500 vdcw	J695-4
C-57	V-9 Screen Bypass	Mica, .01 mfd., 300 vdcw	J666-56
C-58	C.W. Osc. Tuning	Variable, air dielectric	SA:6580
C-59	T-8 Grid	Mica, .001 mfd., 500 vdcw	J666-14
C-60	T-8 Fixed Tuning	Ceramic, 100 mmf., 500 vdcw	D825C-304
C-61	T-8 Tuning Adjusting	Variable, air dielectric	
C-62	D.C. Blocking	Paper, .01 mfd., 600 vdcw	D827-7
C-63	A.C. Line Bypass	Mica, .01 mfd., 300 vdcw	J666-56
C-64	A.C. Line Bypass	Mica, .01 mfd., 300 vdcw	J666-56
C-65	Power Supply Filter	Electrolytic, 40+40 mfd., 475 vdcw	K945-3
C-65A	Power Supply Input Filter	Part of C-65	
C-65B	Power Supply Output Filter	Part of C-65	



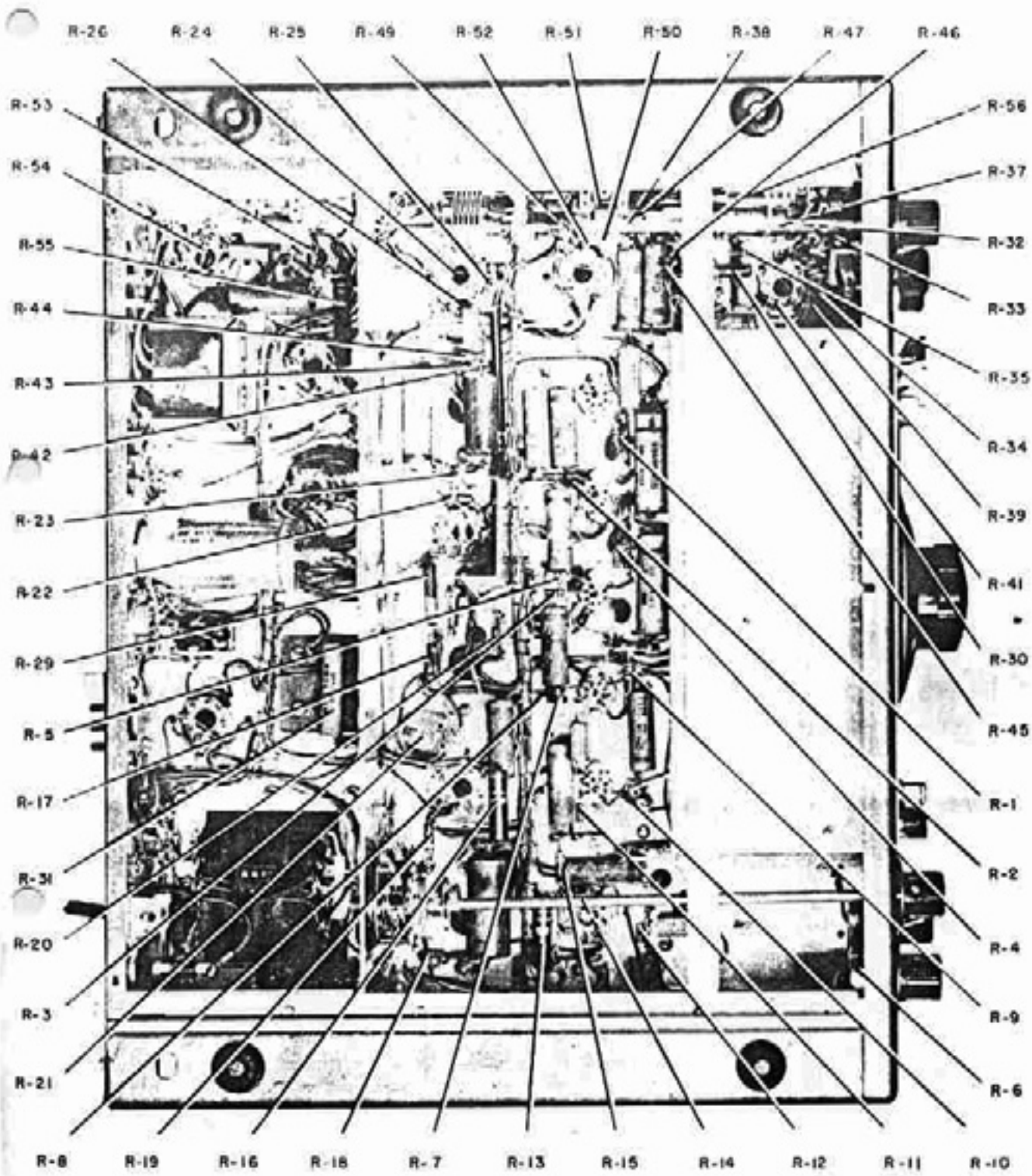


Figure No. 10A. Resistor Locations, Bottom View of Receiver



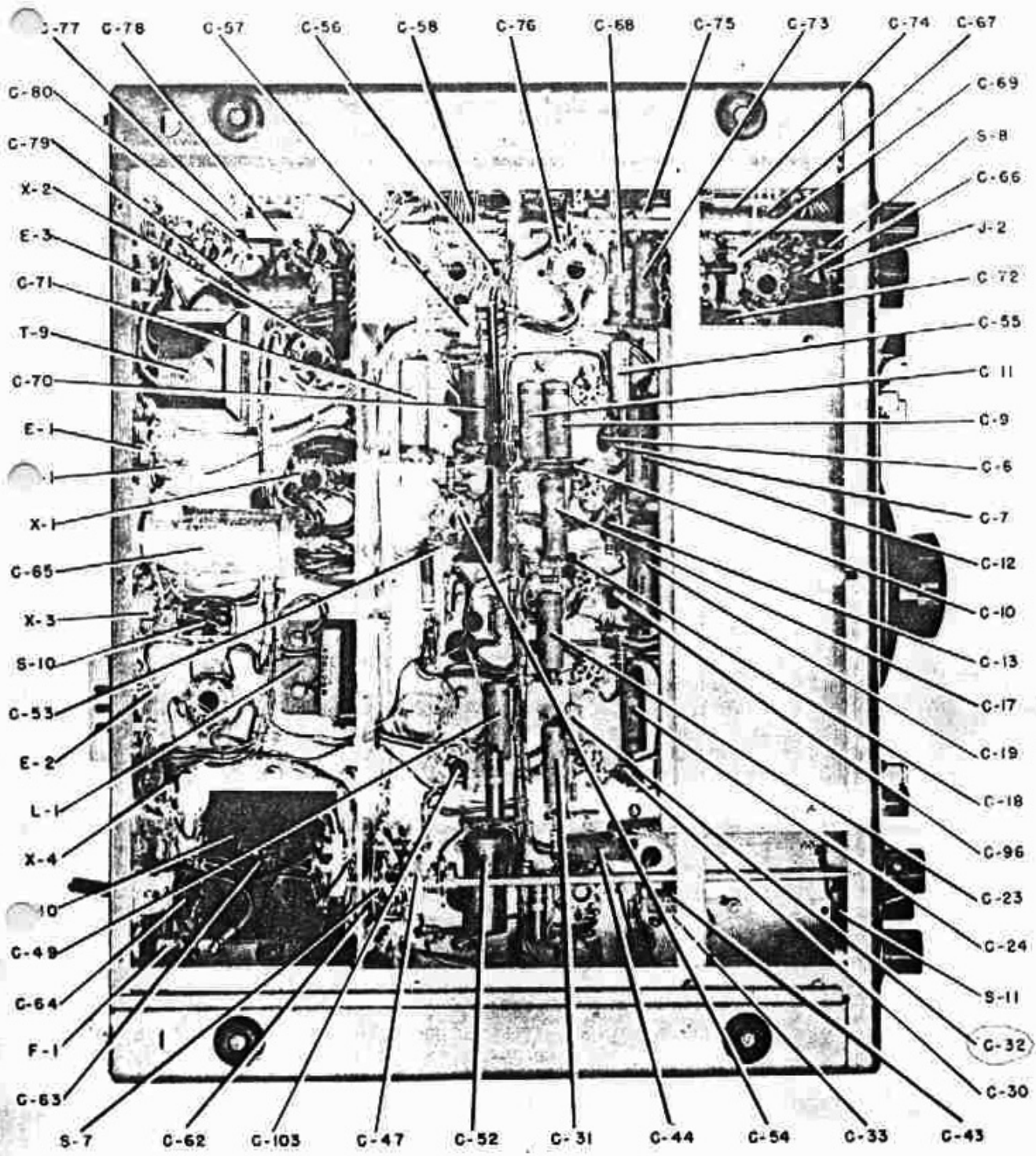


Figure No. 10B. Capacitor and Miscellaneous Component Locations, Bottom View of Receiver



PARTS LIST (CONT'D.)

SYMBOL	FUNCTION	DESCRIPTION	NAT. CO. TYPE
CAPACITORS (CONT'D.)			
C-66	V-7 to V-10 Coupling	Paper, .01 mfd., 600 vdcw	D827-7
C-67	V-10 Threshold Filter	Paper, .1 mfd., 400 vdcw	D827-11
C-68	V-10 Plate Filter	Paper, .1 mfd., 400 vdcw	D827-11
C-69	V-10 to X-3 Coupling	Paper, .01 mfd., 600 vdcw	D827-7
C-70	Tone Compensator	Electrolytic, 25 mfd., 50 vdcw	E338-4
C-71	V-11 Cathode Bypass	Paper, .5 mfd., 100 vdcw	D827-49
C-72	V-11 Screen Bypass	Paper, .1 mfd., 400 vdcw	D827-11
C-73	V-11 Plate Filter	Paper, .1 mfd., 400 vdcw	D827-11
C-74	Tone	Paper, .01 mfd., 600 vdcw	D827-7
C-75	V-8B to V-11 Coupling	Paper, .01 mfd., 400 vdcw	D827-7
C-76	V-8B Grid Bypass	Ceramic, 100 mmf., 500 vdcw	D825D-421
C-77	V-8B to V-12 Coupling	Paper, .01 mfd., 600 vdcw	D827-7
C-78	V-8B to V-13 Coupling	Paper, .01 mfd., 600 vdcw	D827-7
C-79	V-12 and V-13 Cathode Bypass	Electrolytic, 25 mfd., 50 vdcw	E338-4
C-80	Tone Compensator	Mica, .0024 mfd., 1000 vdcw	J667-b8
C-81	Temperature Drift Compensator	Ceramic, 5 mmf., 500 vdcw	H872-3
C-82	T-1 Fixed Bandsread Padder:	Ceramic, fixed,	
	A coil set	12 mmf., 500 vdcw	D825D-404
	B coil set	5 mmf., 500 vdcw	D825D-401
	C coil set	12 mmf., 500 vdcw	D825D-404
	D coil set	25.7 mmf., 500 vdcw	D825D-412
C-83	T-2 Fixed Bandsread Padder	Ceramic, fixed	
	A coil set	21 mmf., 500 vdcw	D825D-410
	B coil set	5 mmf., 500 vdcw	D825D-401
	C coil set	12 mmf., 500 vdcw	D825D-404
	D coil set	25.7 mmf., 500 vdcw	D825D-412
C-84	T-3 Fixed Bandsread Padder	Ceramic, fixed	
	A coil set	21 mmf., 500 vdcw	D825D-410
	B coil set	5 mmf., 500 vdcw	D825D-401
	C coil set	12 mmf., 500 vdcw	D825D-404
	D coil set	25.7 mmf., 500 vdcw	D825D-412
C-85	T-4 Bandsread Padder used on A coil set	Ceramic, 10 mmf., 500 vdcw	D825D-402
C-86	T-4 Fixed Divider used on D coil set	Ceramic, 21 mmf., 500 vdcw	D825D-410
C-87	T-4 Fixed General Coverage Trimmer	Ceramic, fixed	
	B coil set	10 mmf., 500 vdcw	D825D-437
	AA coil set	68 mmf., 500 vdcw	D825D-439
	AB coil set	68 mmf., 500 vdcw	D825D-439
	AC coil set	68 mmf., 500 vdcw	D825D-439
C-88	T-1 Fixed General Coverage Padder		
	A coil set	Mica, 1200 mmf., 500 vdcw	J666-16
	AB coil set	Ceramic, 120 mmf., 500 vdcw	D825C-305
C-89	T-4 Fixed Temperature Compensator used on B coil set	Ceramic, 10 mmf., 500 vdcw	D825D-437
C-90	T-2 Primary Trimmer used on H coil set	Ceramic, 21 mmf., 500 vdcw	D825D-410



PARTS LIST (CONT'D.)

SYMBOL	FUNCTION	DESCRIPTION	NAT. CO. TYPE
CAPACITORS (CONT'D.)			
C-91	T-1 General Coverage Trimmer AA coil set AB coil set AC coil set	Ceramic, fixed, 5 mmf., 500 vdcw 10 mmf., 500 vdcw 50 mmf., 500 vdcw	D825D-401 D825D-402 D825D-417
C-92	T-2 coupling used on AB coil set	Mica, 470 mmf., 500 vdcw	J665-56
C-93	T-2 General Coverage Padder used on AB coil set	Ceramic, 100 mmf., 500 vdcw	D825C-304
C-94	T-3 Coupling used on AB coil set	Mica, 470 mmf., 500 vdcw	J665-56
C-95	T-3 General Coverage Trimmer AB coil set AC coil set	Ceramic, fixed, 5 mmf., 500 vdcw 68 mmf., 500 vdcw	D825D-401 D825D-439
C-96	V-2 Cathode Bypass	Ceramic, .005 mfd., 450 vdcw	K946-1
C-97	T-1 General Coverage Padder used on AB coil set	Variable, air dielectric	
C-98	T-2 General Coverage Padder used on AB coil set	Variable, air dielectric	
C-99	T-3 General Coverage Padder used on AB coil set	Variable, air dielectric	
C-100	T-4 General Coverage Padder used on E, F, G, H, J and AB coil sets	Variable, air dielectric	
C-101	T-3 General Coverage Padder used on AB coil set	Ceramic, 100 mmf., 500 vdcw	D825C-304
C-102	T-2 General Coverage Trimmer on AC coil set	Ceramic, 68 mmf., 500 vdcw	D825D-439
C-103	I.F. coupling to X-1	Ceramic, 10 mmf., 500 vdcw	D825D-402
RESISTORS			
R-1	V-1 Grid Filter	Fixed, 470,000 ohms, 1/2 W.	J569-57
R-2	V-1 Cathode	Fixed, 100 ohms, 1/2 W.	J569-13
R-3	V-1 and V-2 Screen	Fixed, 2,200 ohms, 1/2 W.	J569-29
R-4	V-2 Grid Filter	Fixed, 470,000 ohms, 1/2 W.	J569-57
R-5	V-2 Cathode	Fixed, 560 ohms, 1/2 W.	J569-22
R-6	RF Gain Control	Variable, W.W., 10,000 ohms	K349-3
R-7	V-3 Injector Grid	Fixed, 22,000 ohms, 1/2 W.	J569-41
R-8	V-3 Cathode	Fixed, 220 ohms, 1/2 W.	J569-17
R-9	V-3 Screen	Fixed, 33,000 ohms, 1 W.	J571-43
R-10	V-4 Grid	Fixed, 22,000 ohms, 1/2 W.	J569-41
R-11	V-4 Plate	Fixed, 22 ohms, 1/2 W.	J569-5
R-12	V-5 Grid Filter	Fixed, 470,000 ohms, 1/2 W.	J569-57
R-13	V-1, V-2, V-4, V-5 Screen Bleeder	Fixed, 27,000 ohms, 2 W.	J572-42
R-14	V-5 Cathode	Fixed, 220 ohms, 1/2 W.	J569-17
R-15	V-5 Cathode	Fixed, 330/1000 ohms, 1/2 W.	
R-16	V-1, V-2, V-4, V-5 Screen Dropping	Fixed, 15,000 ohms, 2 W.	J572-39



PARTS LIST (CONT'D.)

SYMBOL	FUNCTION	DESCRIPTION	NAT. CO. TYPE
RESISTORS (CONT'D.)			
R-17	V-5 Plate Filter	Fixed, 2,200 ohms, 1/2 W.	J569-29
R-18	V-6 Grid Filter	Fixed, 470,000 ohms, 1/2 W.	J569-57
R-19	V-6 Cathode	Fixed, 330 ohms, 1/2 W.	J569-19
R-20	V-6A Plate Load	Fixed, 47,000 ohms, 1/2 W.	J569-45
R-21	*S* Meter Zero Adjustment	Variable, W.W., 1000 ohms 1 W.	D831-2
R-22	V-7 Plate Load	Fixed, 1.5 meg., 1/2 W.	J569-63
R-23	AVC Filter	Fixed, 1.5 meg., 1/2 W.	J569-63
R-24	V-9 Plate	Fixed, 220,000 ohms, 1/2 W.	J569-53
R-25	V-9 Screen Filter	Fixed, 100,000 ohms, 1/2 W.	J569-49
R-26	V-9 Screen Bleeder	Fixed, 100,000 ohms, 1/2 W.	J569-49
R-27	V-9 Grid	Fixed, 47,000 ohms, 1/2 W.	J569-45
R-28	Dimmer	Variable, W.W., 25 ohms	K915-13
R-29	V-7 Filament Dropping	Fixed, 4.3 ohms, 1 W.	K098-34
R-30	V-10 Filament Dropping	Fixed, 4.3 ohms, 1 W.	K098-34
R-31	V-14 Dropping	Fixed, 5,000 ohms, 10 W.	B959-10
R-32	V-7 Load	Fixed, 22,000 ohms, 1/2 W.	J569-41
R-33	V-7 Load	Fixed, 470,000 ohms, 1/2 W.	J569-57
R-34	V-10 Plate	Fixed, 220,000 ohms, 1/2 W.	J569-53
R-35	V-10 Cathode	Fixed, 220,000 ohms, 1/2 W.	J569-53
R-36	Limiter Threshold Control	Variable, 500,000 ohms	J681-2
R-37	Limiter Threshold Filter	Fixed, 220,000 ohms, 1/2 W.	J569-53
R-38	Limiter Plate Filter	Fixed, 820,000 ohms, 1/2 W.	J569-60
R-39	V-10 Plate Load	Fixed, 470,000 ohms, 1/2 W.	J569-57
R-40	Audio Gain Control	Variable, 500,000 ohms	K347-1
R-41	Limiter Output Divider	Fixed, 220,000 ohms, 1/2 W.	J569-53
R-42	V-11 Cathode	Fixed, 2200 ohms, 1/2 W.	J569-29
R-43	V-11 Cathode Divider	Fixed, 150 ohms, 1/2 W.	J569-15
R-44	Degeneration Feedback	Fixed, 6800 ohms, 1/2 W.	J569-35
R-45	V-11 Audio Screen	Fixed, 100,000 ohms, 1/2 W.	J569-49
R-46	V-11 Plate Load	Fixed, 100,000 ohms, 1/2 W.	J569-49
R-47	V-11 Plate Filter	Fixed, 47,000 ohms, 1/2 W.	J569-45
R-48	Tone	Variable, 500,000 ohms	K347-1
R-49	V-8B Grid	Fixed, 220,000 ohms, 1/2 W.	J569-53
R-50	V-8B Cathode Bias	Fixed, 4,700 ohms, 1/2 W.	J569-33
R-51	V-8B Cathode Load	Fixed, 47,000 ohms, 1/2 W.	J569-45
R-52	V-8B Plate Load	Fixed, 47,000 ohms, 1/2 W.	J569-45
R-53	V-13 Grid	Fixed, 220,000 ohms, 1/2 W.	J569-53
R-54	V-12 Grid	Fixed, 220,000 ohms, 1/2 W.	J569-53
R-55	V-12 and V-13 Cathode Bias	Fixed, 220 ohms, 2 W.	J572-17
R-56	Output Load	Fixed, 470 ohms, 2 W.	J572-21
R-57	T-1 Ant. Load & Coil Set Only	Fixed, 22 ohms, 1/2 W.	J569-5
MISCELLANEOUS			
E-1	Antenna Input Terminal	Screw-Type, three terminals	E261-3
E-2	B+ Switch Terminal	Screw-Type, two terminals	E265-19
E-3	Audio Output Terminal	Screw-Type, three terminals	E259-2
F-1	Fuse 3AG	2 Amps. at 250 V.	F135-4
I-1	Dial Lamp	#47	F136-6
I-2	Dial Lamp	#47	F136-6



PARTS LIST (CONT'D.)

UNCL	FUNCTION	DESCRIPTION	NAT. CO. TYPE
MISCELLANEOUS (CONT'D.)			
I-3	"S" Meter Lamp	#47	F136-6
J-1	Phone Jack	Single-Circuit	J993-1
J-2	Phone Jack	Multi-Circuit	F316-1
L-1	Filter Choke	17 Henries	SA:1694
M-1	"S" Meter	0-1 ma.	J984-5
P-1	Select-O-Ject Plug	Octal	SA:6569
P-2	A.C. Jumper Plug	Octal	SA:3731
S-1	T-1 B.S. - G.C. Switch	Two-position	SA:6749
S-2	T-2 B.S. - G.C. Switch	Two-position	SA:6749
S-3	T-3 B.S. - G.C. Switch	Two-position	SA:6749
S-4	T-4 B.S. - G.C. Switch	Two-position	SA:6749
S-5	Selectivity switch	Six-position, double-pole	E195-3
S-6	A.V.C. ON-OFF switch	SPST, toggle	E230-2
S-7	Control switch	Double-wafer, four-position	SA:6564
S-8	Calibrator switch	DPDT, toggle, center position open	F738-1
S-9	A.C. Line switch	Part of R-40	
S-10	T-10 Primary Selector switch	DPDT, toggle	H340-4
S-11	B+ switch	SPST Bat Handle	E230-2
T-1	First R.F. Amplifier transformer		
	A Band	14.0 - 30 Mc.	SA:6654
	B Band	7.0 - 14.4 Mc.	SA:6755
	C Band	3.5 - 7.3 Mc.	SA:6759
	D Band	1.7 - 4.0 Mc.	SA:6635
	E Band	900 - 2050 Kc.	SA:6513
	F Band	480 - 960 Kc.	SA:6660
	G Band	180 - 430 Kc.	SA:6665
	H Band	100 - 200 Kc.	SA:6803
	J Band	50 - 100 Kc.	SA:6808
	AA Band	27 - 30 Mc.	SA:6814
	AB Band	25 - 35 Mc.	SA:6675
	AC Band	21 - 21.5 Mc.	SA:8073
T-2	Second R.F. Amplifier Transformer		
	A Band	14.0 - 30 Mc.	SA:6751
	B Band	7.0 - 14.4 Mc.	SA:6650
	C Band	3.5 - 7.3 Mc.	SA:6641
	D Band	1.7 - 4.0 Mc.	SA:6637
	E Band	900 - 2050 Kc.	SA:6540
	F Band	480 - 960 Kc.	SA:6662
	G Band	180 - 430 Kc.	SA:6667
	H Band	100 - 200 Kc.	SA:6669
	J Band	50 - 100 Kc.	SA:6809
	AA Band	27 - 30 Mc.	SA:6673
	AB Band	25 - 35 Mc.	SA:6818
	AC Band	21 - 21.5 Mc.	SA:8074
T-3	Mixer Transformer		
	A Band	14.0 - 30 Mc.	SA:6752
	B Band	7.0 - 14.4 Mc.	SA:6756
	C Band	3.5 - 7.3 Mc.	SA:6642



PARTS LIST (CONT'D.)

SYMBOL	FUNCTION	DESCRIPTION	NAT. CO. TYPE
MISCELLANEOUS (CONT'D.)			
	D Band	1.7 - 4.0 Mc.	SA:6638
	E Band	900 - 2050 Kc.	SA:6789
	F Band	480 - 960 Kc.	SA:6794
	G Band	180 - 430 Kc.	SA:6800
	H Band	100 - 200 Kc.	SA:6804
	J Band	50 - 100 Kc.	SA:6810
	AA Band	27 - 30 Mc.	SA:6815
	AB Band	25 - 35 Mc.	SA:6676
	AC Band	21 - 21.5 Mc.	SA:8075
T-4	H.F. oscillator transformer		
	A Band	14.0 - 30 Mc.	SA:6656
	B Band	7.0 - 14.4 Mc.	SA:6678
	C Band	3.5 - 7.3 Mc.	SA:6760
	D Band	1.7 - 4.0 Mc.	SA:6776
	E Band	900 - 2050 Kc.	SA:6631
	F Band	480 - 960 Kc.	SA:6795
	G Band	180 - 430 Kc.	SA:6785
	H Band	100 - 200 Kc.	SA:6805
	J Band	50 - 100 Kc.	SA:6811
	AA Band	27 - 30 Mc.	SA:6816
	AB Band	25 - 35 Mc.	SA:6819
	AC Band	21 - 21.5 Mc.	SA:8076
T-5	Crystal Filter	455 Kc.	SA:3654
T-6	2nd. I.F. Amp. transformer	455 Kc.	SA:2492
T-7	Detector Input transformer	455 Kc.	SA:410
T-8	C.W. Osc. transformer	455 Kc.	SA:3361
T-9	Audio Output transformer	Pri. 10,000 ohms/Sec. 8/600 ohms, 10 watts	P187-1
T-10	Power transformer	115/230 volt primary	P188-1
V-1	First R.F. Amplifier	6BA6	
V-2	Second R.F. Amplifier	6BA6	
V-3	Mixer	6BE6	
V-4	H.F. Oscillator	6C4	
V-5	First I.F. Amplifier	6X7	
V-6	Second I.F. Amplifier	6X7	
V-7	Second Detector and A.V.C.	6H6	
V-8A	"S" Meter Amplifier	1/2 6SN7GT	
V-8B	Phase Inverter	1/2 6SN7GT	
V-9	C.W. Oscillator	6J7	
V-10	Noise Limiter	6BE6	
V-11	Audio Amplifier	6SJ7	
V-12	Audio Output	6Y6GT	
V-13	Audio Output	6Y6GT	
V-14	Voltage Regulator	OB2	
V-15	Rectifier	5Y4G	
X-1	Accessory Connector Socket	Octal	J665-2
X-2	Crystal Calibrator Socket	Octal	J665-2
X-3	Select-Or-Ject Socket	Octal	J665-2
Y-1	Crystal Resonator	Quartz, 455 Kc.	E979-1



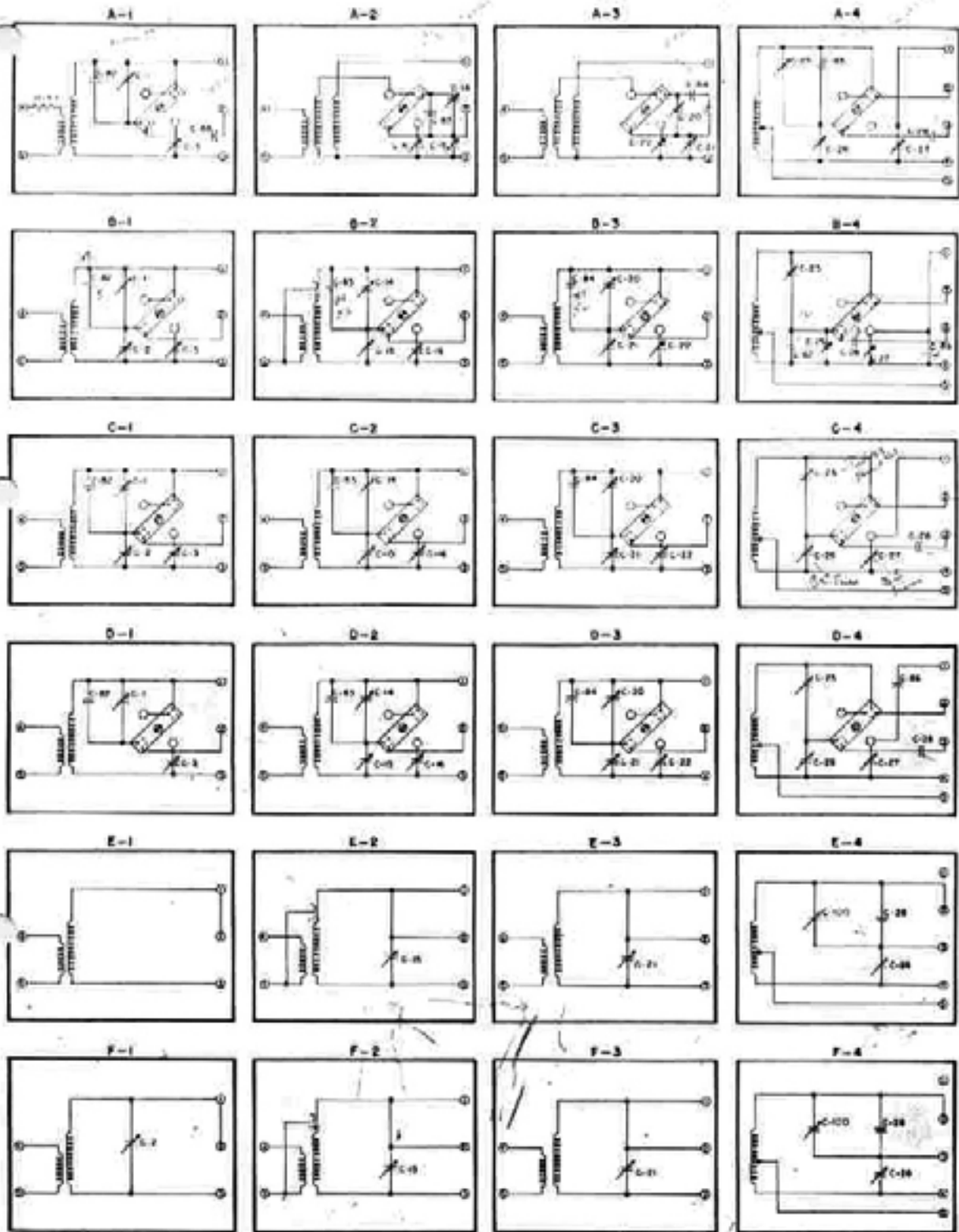


Figure No. 11. Schematic Diagrams, Coil Sets A, B, C, D, E and F



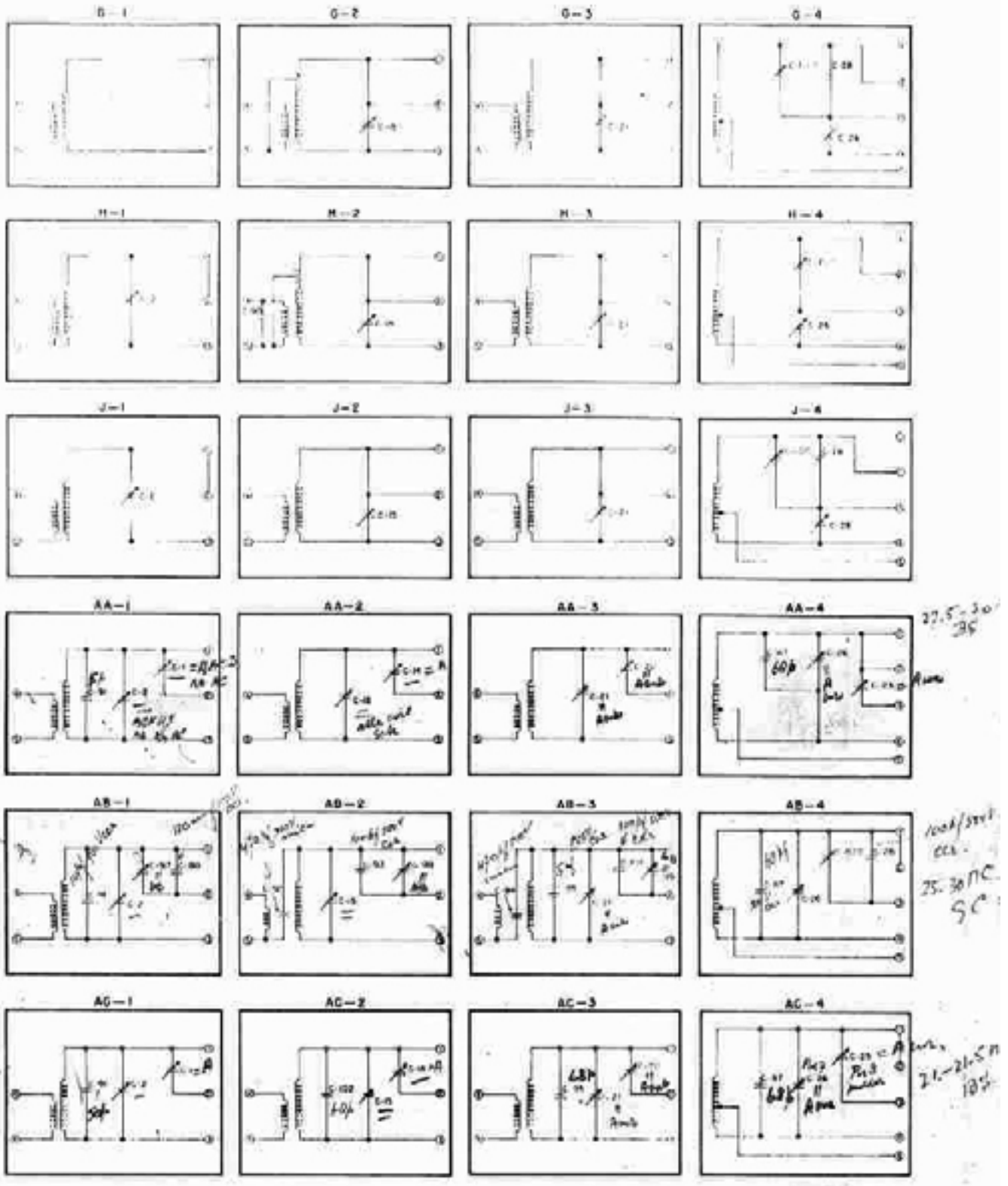
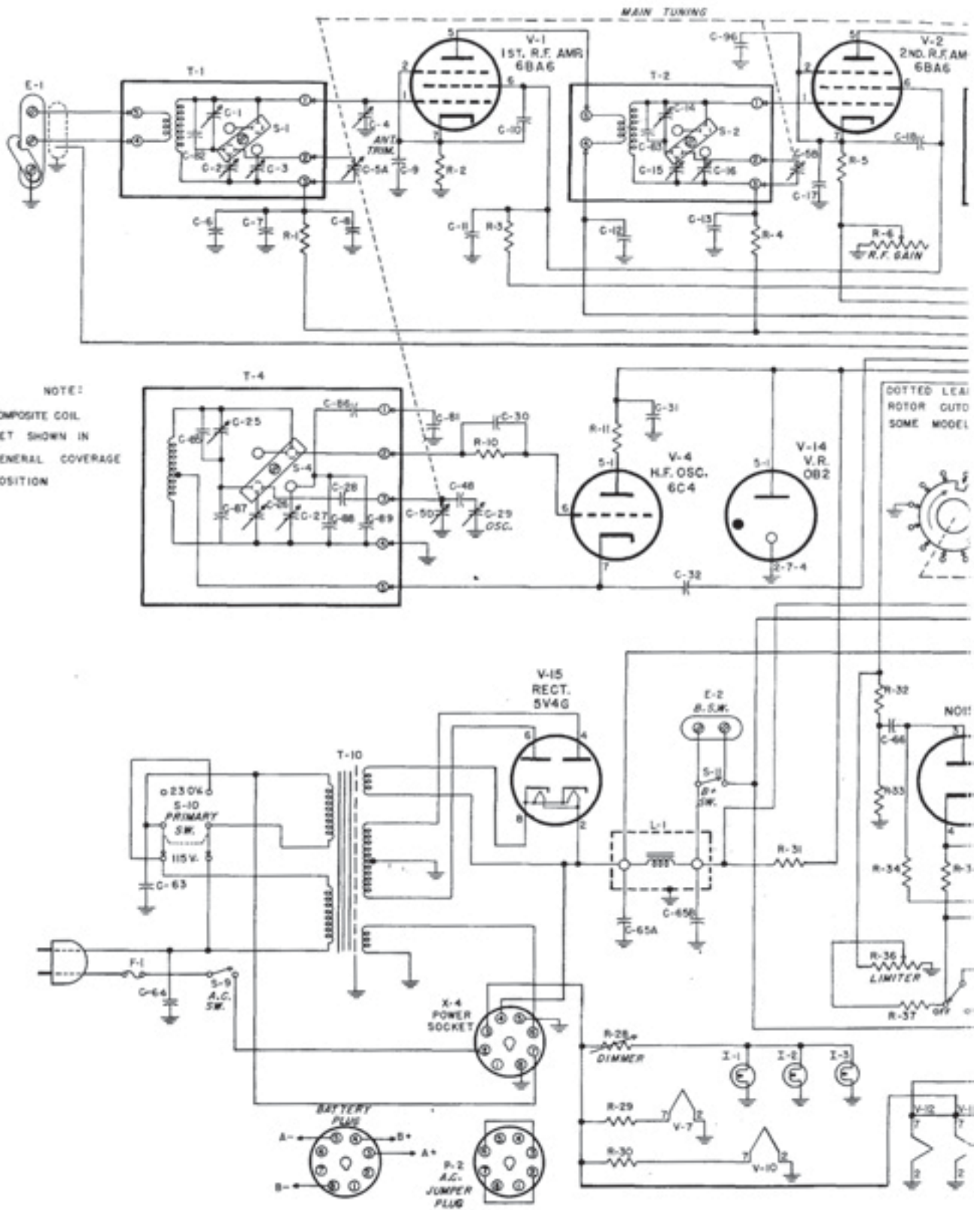


Figure No. 12. Schematic Diagrams. Coil Sets A, AB, AC, G, H and J





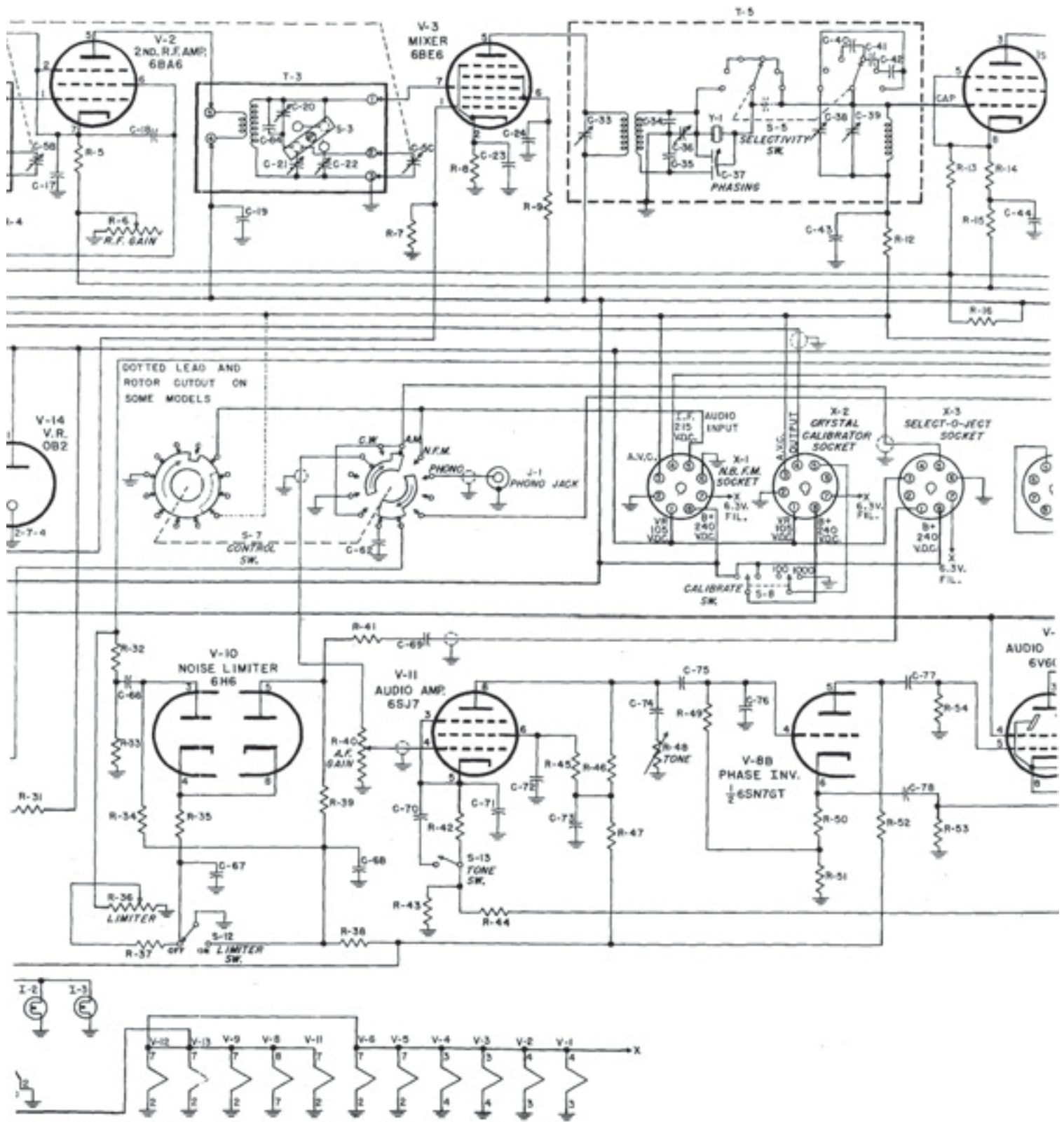
NOTE:
COMPOSITE COIL
SET SHOWN IN
GENERAL COVERAGE
POSITION



Reworked by
PAØPGA

This manual was downloaded from BAMA's
boatanchor site <http://bama.sbc.edu>





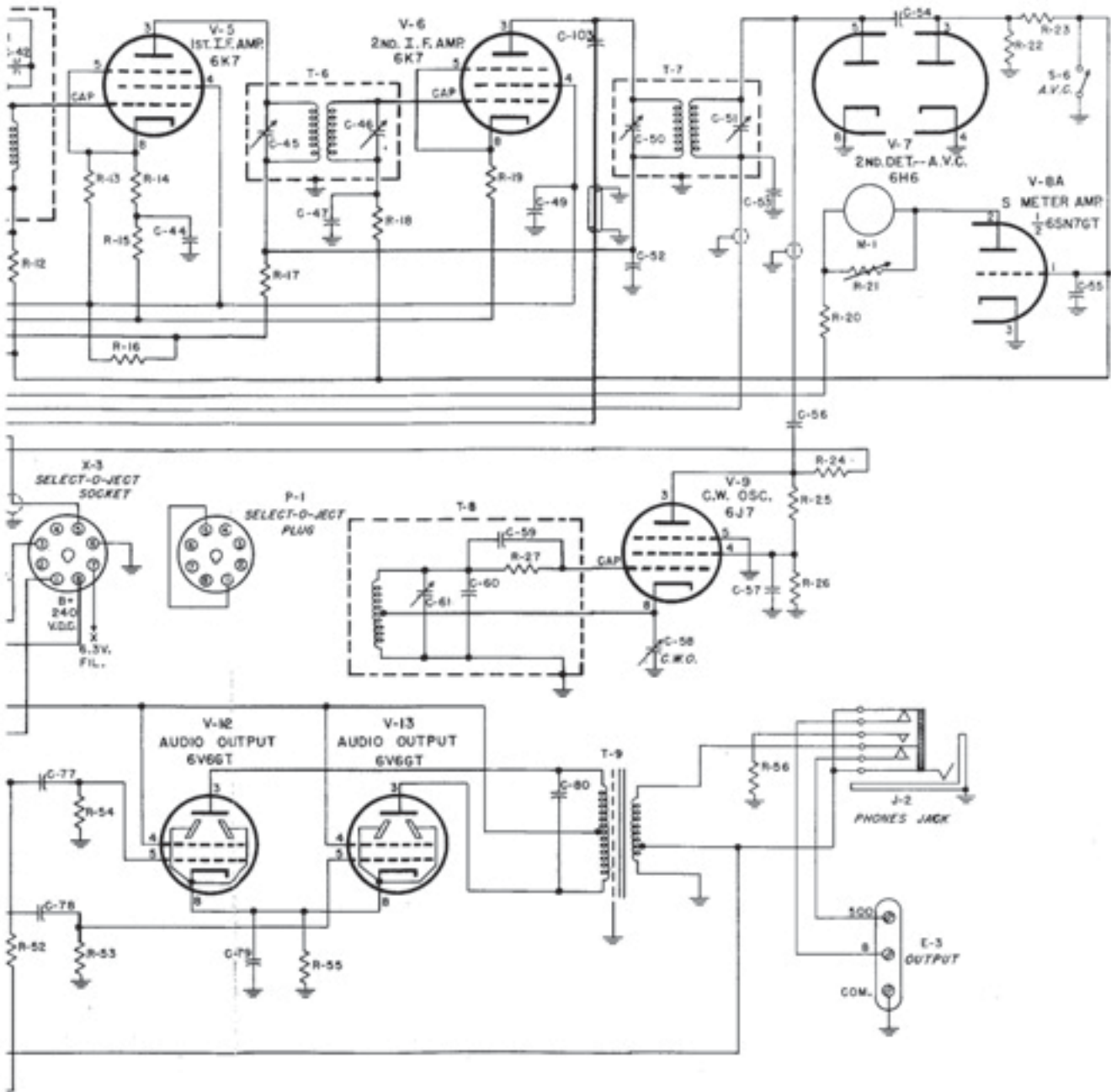


Figure No. 13. Schematic Diagram, HRO-50 Radio Receiver



this page is intentionally left blank



SECTION 6.

ACCESSORIES

XOU CRYSTAL CALIBRATOR

NFM-50 NARROW-BAND F.M. ADAPTOR

650S VIBRATOR POWER SUPPLY



INSTRUCTIONS
for the
NATIONAL XCU
CRYSTAL CALIBRATOR UNIT

GENERAL

The type XCU Crystal Calibrator Unit is designed expressly for use within the HRO-50 Receiver. It utilizes an electron-coupled oscillator circuit controlled by a dual-dimension crystal (Bliley type SMO-100). This type of crystal provides two crystal-controlled marker frequencies of 100 kilocycles and 1 megacycle. When plugged into the Crystal Calibrator Socket, X-2, the XCU output is loosely coupled to the first R.F. amplifier input circuit. Selection of either the 100 kilocycle or 1000 kilocycle crystal-controlled signal is made possible by the front-panel mounted Calibrate switch on the Receiver.

INSTALLATION

The XCU calibrator is installed in the HRO-50 Receiver by plugging the unit into the Crystal Calibrator Socket, X-2, on top of the chassis. A slotted-head screw mounted through the top of the unit is provided to bolt the unit to the chassis.

A trimmer capacitor, C-1, is connected across the crystal to permit adjustment of the frequency of the 100 kilocycle output marker when the unit is operated at locations where the temperature is vastly removed from that of normal room temperature. This capacitor should never require adjustment unless such abnormal temperatures are experienced. To make the adjustment proceed as follows:

- (1) Plug in a coil set suitable for the reception of WWV on one of the various frequencies utilized by this standard frequency station.
- (2) Adjust the Receiver for normal C.W. operation as explained in Section 3-3.
- (3) Set the front-panel mounted Calibrate switch at the 100 kilocycle position.
- (4) Tune in the signal from WWV.
- (5) Adjust the trimmer capacitor, C-1, located at the top of the calibrator unit so that the 100 kilocycle marker signal harmonic is zero beat with the signal received from WWV.

OPERATION

The XCU Crystal Calibrator provides a means of checking the accuracy of the frequency calibration of the Receiver. The front-panel mounted Calibrate switch marked 100-Off-1000 connects B-plus to the Calibrator for instantaneous service. At the same time this switch selects either the 100 or 1000 kilocycle marker signal. To check calibration accuracy tune in the desired marker signal with the Control switch set at C.W. and zero beat the Receiver with the harmonic marker. If the micrometer dial and the slide-rule dial do not read accurately correction should be made by adjusting the front-panel mounted Osc. trimmer control. Only a slight adjustment of the Osc. trimmer control should be necessary. If calibration is way off the plug-in coil set probably requires realignment and reference should be made to Section 4.



PARTS LIST

SYMBOL	FUNCTION	DESCRIPTION	NAT. CO. TYPE
C-1	100 Kc. Tuning	Ceramic, variable, 6 - 20 mmf.	E311-2
C-2	B+ Filter	Paper, .1 mfd. +30%-10% 400 vdcw	D827-11
C-3	Cathode by-pass	Paper, .1 mfd. +30%-10% 400 vdcw	D827-11
C-4	Output Coupling	Ceramic, 10 mmf. ±.5 mmf. 50C vdcw	H872-1
L-1	100 Kc. inductor	5 mh. type R-100	SA:4373
L-2	1000 Kc. inductor	.5 mh. type R-50	SA:2514
P-1	Plug	Octal	K783-1
R-1	Grid	Fixed, 4.7 megohms, 1/2 W.	J569-69
R-2	Cathode	Fixed, 150 ohms, 1/2 W.	J569-15
R-3	Screen dropping	Fixed, 2200 ohms, 1 W.	J571-41
R-4	Plate	Fixed, 470,000 ohms, 1 W.	J571-57
V-1	Oscillator tube	6AK6	
Y-1	Crystal Resonator	Quartz, 100 - 1000 Kc.	P206-1

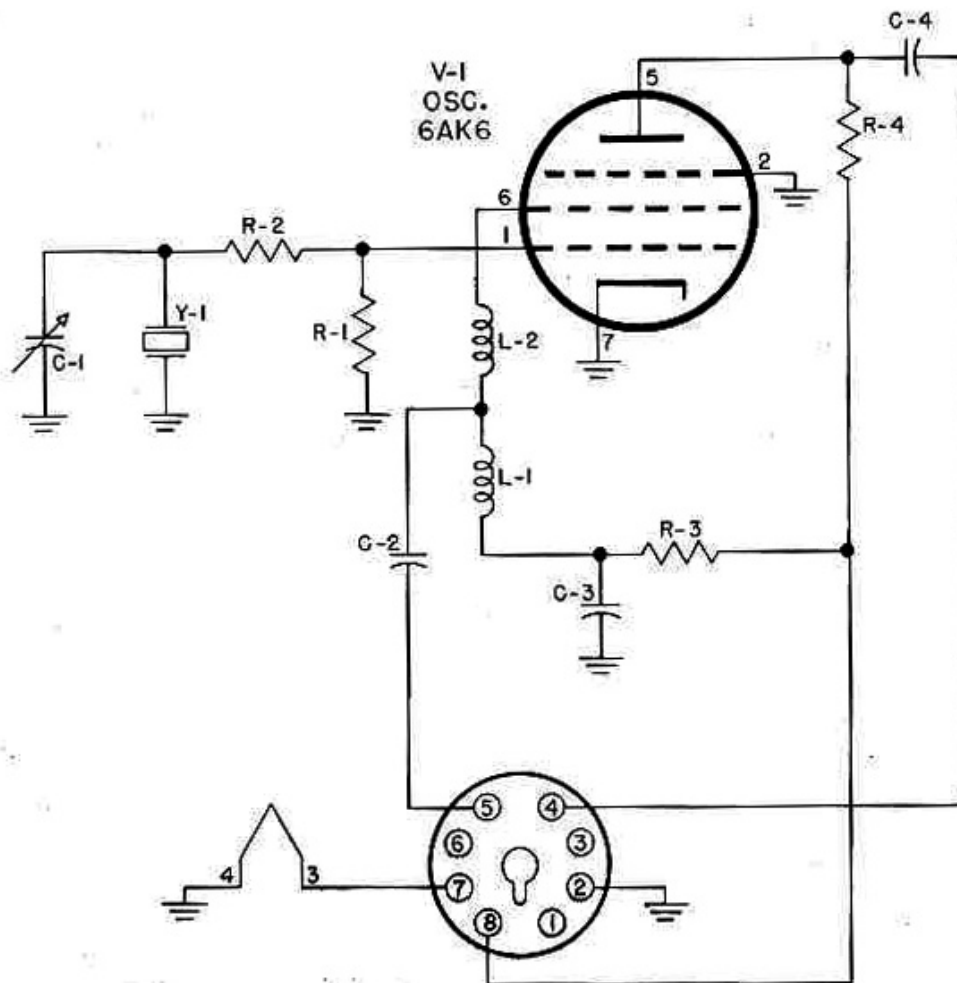


Figure No. 14. Schematic Diagram, XCU Calibrator



INSTRUCTIONS
for the
NATIONAL NFM-50
NARROW-BAND F.M. ADAPTOR

INSTALLATION

The NFM-50 is installed in the HRO-50 Receiver by plugging the adaptor unit into the N.B.F.M. Socket X-1 on the top of the chassis. A mounting bracket is furnished to hold the adaptor unit securely in position.

The adaptor unit is aligned at National Company laboratories and realignment is not necessary. It is necessary to realign the primary trimmer capacitor C-50 in the second detector transformer, T-7, on the HRO-50. See Figure No. 6 in this Instruction Book for the location of this adjustment. Realignment of this capacitor is effected as follows:

1. Install the NFM-50.
2. Adjust the receiver controls for normal A.M. operation.
3. Disconnect the antenna.
4. Trim the capacitor, C-50, for maximum receiver background noise using an insulated alignment tool.

ALIGNMENT

The NFM-50 is carefully aligned before shipment and no realignment is required unless the adaptor is accidentally misaligned. The necessity of realignment can be determined by the A.M. rejection capabilities of the adaptor unit. Proper alignment will be indicated when the maximum A.M. rejection occurs at the center of the A.M. carrier. Maximum S-meter reading will indicate the center of the carrier.

The equipment required for alignment is a high-impedance vacuum tube voltmeter and an A.M. signal generator. The signal generator used should have an output reasonably free of any frequency modulation. The use of a broadcast station as a signal source, in place of a signal generator, would provide a test signal meeting the above requirement. In any case, the signal strength of the test signal should be of the order to provide an S-meter reading of from 2 to 5 S-units when the HRO-50 is correctly tuned to the test signal.

The preliminary alignment procedure is as follows:

1. Connect the high-impedance voltmeter between the test point jack, J-1, and chassis. The polarity of the voltage will depend on the alignment of the adaptor, connect the voltmeter to obtain an up-scale reading.
2. Connect a signal source to the antenna terminals, A and A, at the rear of the HRO-50. If a signal generator is used make the connection through a 300 ohm dummy load and select a frequency in the standard broadcast band.
3. Set the Control switch at N.F.M.
4. Set the Selectivity switch at Off.
5. Set the Limiter control at Off.
6. Plug in the E coil set, 900 to 2,050 Kc. If this coil set is not available use the D coil set, 1.7 to 4.0 Mc.
7. Set the B plus switch at On.
8. Set the A.V.C.-Off switch at A.V.C.
9. Turn the R.F. Gain control to 10.
10. Adjust the A.F. Gain control for the desired volume.



11. Tune the test signal by adjustment of the Main Tuning knob. The correct tuning point is the setting that produces maximum S-meter reading.

Alignment is effected as follows:

1. Detune both primary, L-1, and secondary L-2, I.F. trimmers by rotating the screw adjustments until they are withdrawn from the shield can as far as possible. The adjustment with the dot of red paint opposite it is the primary trimmer L-1.
2. Tune the primary trimmer, L-1, for maximum reading on the voltmeter. If two peaks in output are observed, the correct peak will be the first one encountered when rotating the screw adjustment into the shield can.
3. Tune the secondary trimmer, L-2, for a zero reading on the voltmeter. It will be noted that there is a crossover in the polarity of the test voltage at this point.
4. Adjust the capacitor, C-9, for a null in the audio output. This capacitor is accessible after removal of the button plug on the side of the adaptor unit.
5. Adjustment of capacitor, C-9, may affect the zero voltage reading obtained by adjustment of the secondary trimmer, L-2. Retrim L-2 and C-9, as necessary, until both a zero voltage reading on the voltmeter and a null in the audio output are obtained.

PARTS LIST

SYMBOL NO.	FUNCTION	DESCRIPTION	NAT. CO. TYPE
C-1	I.F. Amp. Coupling	Ceramic, 10 Mmf, 500 vdcw	D825D-402
C-2	Input Divider	Ceramic, 38.5 Mmf, 500 vdcw	D825D-414
C-3	I.F. Amp. Cathode Bypass	Mica, 0.01 Mfd, 300 vdcw	J666-56
C-4	I.F. Amp. Screen Bypass	Mica, 0.001 Mfd, 300 vdcw	J665-71
C-5	T-1 Primary Tuning	Mica, 100 Mmf, 500 vdcw	H500-7
C-6	T-1 Secondary Tuning	Mica, 180 Mmf, 500 vdcw	H500-3
C-7	T-1 Secondary Tuning	Mica, 180 Mmf, 500 vdcw	H500-3
C-8	T-1 Secondary Tuning	Ceramic, 38.5 Mmf, 500 vdcw	D825D-414
C-9	T-1 Sec. Balance Adj.	Ceramic, Var., 7-35 Mmf.	E311-4
C-10	Disc. Cathode Filter	Elect. 1 Mfd, 450 vdcw	K338-10
C-11	B Supply Bypass	Mica, 0.01 Mfd, 300 vdcw	J666-56
C-12	R.F. Filter	Mica, 470 Mmf, 500 vdcw	J665-56
13	Audio Coupling	Mica, 0.01 Mfd, 300 vdcw	J666-56
R-1	I.F. Amp. Grid Leak	Fixed, 1 Megohm, 1/2 W.	K379-61
R-2	I.F. Amp. Cathode Bias	Fixed, 1,000 Ohms, 1/2 W.	K379-25
R-3	I.F. Amp. Screen Dropping	Fixed, 47,000 Ohms, 1/2 W.	K379-45
R-4	R.F. Filter	Fixed, 47,000 Ohms, 1/2 W.	K379-45
R-5	Diode Load	Fixed, 15,000 Ohms, 1/2 W.	K379-39
R-6	Diode Load	Fixed, 15,000 Ohms, 1/2 W.	K379-39
R-7	Decoupling	Fixed, 4,700 Ohms, 1/2 W.	J569-33
J-1	Test Point	Tip Jack, Bakelite	K421-1
L-1	T-1 Primary Inductor	Adjustable Iron-Core	SA:4892
L-2	T-1 Secondary Inductor	Adjustable Iron-Core	SA:4891
P-1	Adaptor Unit Plug	8 Prong Octal	K783-1
T-1	Discriminator Transformer	Ratio Type 455 Kc.	SA:4890
V-1	I.F. Amplifier	6SK7	
V-2	Discriminator	6H6	



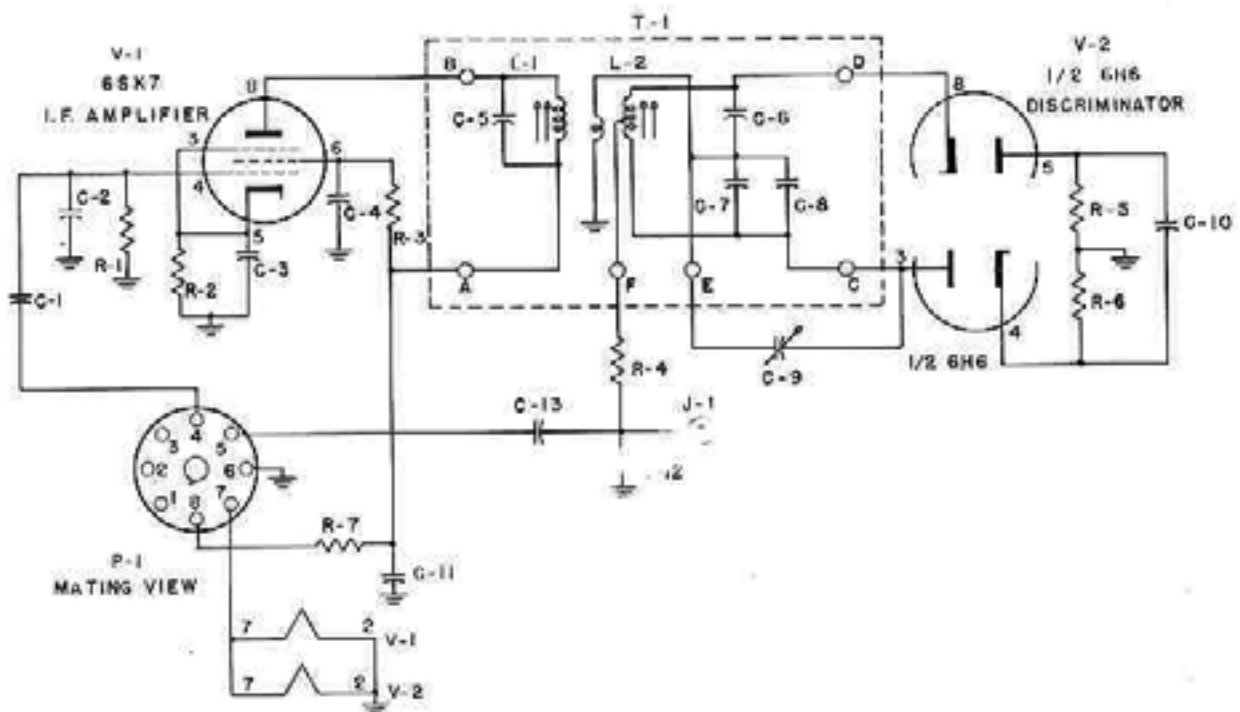


Figure No. 15. Schematic Diagram, NFM-50 Adaptor



INSTRUCTIONS
FOR THE
NATIONAL TYPE 650S
VIBRATOR POWER SUPPLY

GENERAL

The National Type 650S Table Model Vibrator Power Unit has been designed to furnish complete operating voltages for the HRO-50 Receiver. The unit operates from a 6-volt D.C. supply and provides approximately 150 volts D.C. at 70 milliamperes in normal operation. Output voltages for both A and B supply are available at a four prong socket for convenient connection to the Receiver.

The 650S consists of a vibrator unit utilizing an OZ4A type rectifier tube and a vibrator in a circuit employing efficient R.F. filtering of vibrator hash. Further filtering of the low frequency or audio hum component in the output is accomplished by using the regular filter system in the Receiver.

INSTALLATION

The 650S unit is supplied with a battery connecting cable as well as an interconnecting cable to facilitate connection to the Receiver.

Battery clips are provided on the battery connecting cable, W-1, for convenient connection to a 6-volt storage battery or similar source of power. The interconnecting cable, W-2, is terminated at one end in a four-prong plug to mate with the socket, X-1, of the 650S. The other end utilizes an octal plug to mate with the power socket, X-1, at the rear of the HRO-50 Receiver. The Receiver A.C. jumper plug, P-1, used for A.C. operation must be removed from the power socket. Figure Number 1b shows the Schematic Wiring Diagram.

The 650S Vibrapack Unit has been completely tested and adjusted at the factory to provide efficient and economical service when used with the HRO-50 Receiver. An adjustment control switch has been furnished for increasing the B-plus output. This is a screw driver control available through an entry hole provided at the rear of the 650S. The control switch has four steps from approximately 150 volts of filtered D.C. at 70 milliamperes in the extreme counterclockwise position (step 1) to approximately 210 volts at 90 milliamperes in the fully clockwise position (step 4). It is recommended that the Receiver be operated at the lower B voltage of step 1. The total battery drain is approximately 10.5 amperes when furnishing power to the Receiver if the NFM-50, XCU and SOJ-3 units are used. If the Receiver is used without these accessories the total drain is approximately 9 amperes. The V.R. tube does not light under these conditions but the Receiver will operate normally and operation from a storage battery becomes practical. In step 4 the V.R. tube will light and full Receiver output will be obtained but the drain on the storage battery will be approximately 15 amperes when all accessories are utilized. Without these accessories the total Receiver drain from the battery will be approximately 13.3 amperes.

The two intermediate control switch steps 2 and 3 should not be used as the voltage obtained is approximately the value required to fire the V.P. tube in the receiver. Under this condition the V.R. tube may fire on and off sporadically resulting in erratic operation of the receiver.



PARTS LIST

SYMBOL	FUNCTION	DESCRIPTION	NAT. CO. TYPE
C-1	Filter Capacitor	Elec. 500 mfd, 15 vdcw	E338-7
E-1	Vibrapack Unit	6 V.D.C. Mallory Type VP554	
F-1	Fuse	3 AG 20 Ampere 25 volt	
L-1	6-volt Line Filter	16 microhenries, iron core	SA:869
S-1	6-volt Line Switch	Toggle S.P.S.T.	K230-2
V-1	Rectifier Tube	Type 0Z4A	
W-1	6-volt Line Connector	Two Contact	SA:1999
W-2	Interconnecting Cable	One end terminated in four prong plug; other in an octal plug	
Y-1	Vibrator	6 V.D.C. Mallory Type 825C	
X-1	Output Socket	Four Prong Female	

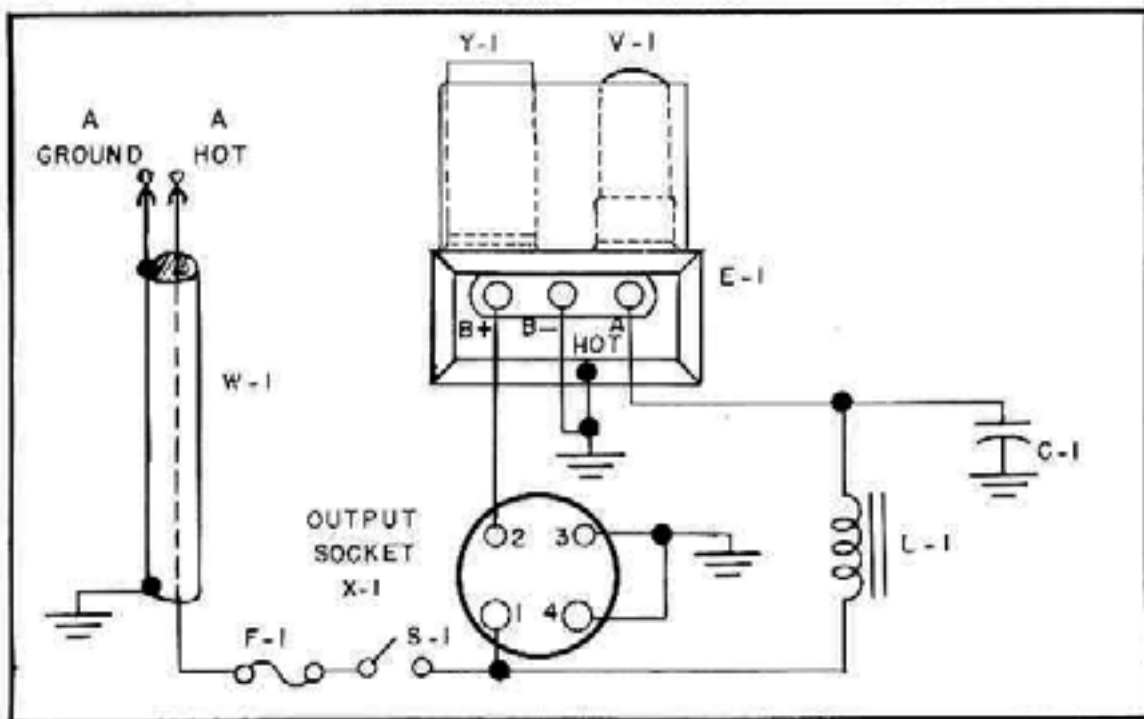


Figure No. 16. Schematic Diagram, 6506 Vibrator Power Supply



THE NATIONAL HRO-50 RECEIVER

EQUIPMENT LIST

HRO-50T Receiver, table mounting, gray finish, complete with tubes, crystal filter, noise limiter, and A, B, C, D, coil sets.

HRO-50R Receiver, same as above but mounted on a $\frac{1}{8}$ " standard rack panel $10\frac{1}{2}$ " high, black finish.

SOJ-3 Select-O-Ject Unit.

650S Power Unit, table mounting, 6 volt battery operated vibrator.

HRO-50TS Table Model 10" PM dynamic loudspeaker with connecting cable.

HRO-50RS Loudspeaker 8" PM dynamic loudspeaker mounted on $8\frac{3}{4}$ " high rack panel, black finish with connecting cable.

NFM-50 Narrow Band F.M. Adaptor.

XCU 100/1000 Kilocycle Crystal Calibrator Unit.

50SC Combination Unit, an installation consisting of an eight section coil container and 8" PM dynamic loudspeaker mounted on a single rack panel $15\frac{3}{4}$ " high.

MRR Mounting Rack, a standard 19" panel width table rack with a panel capacity $26\frac{1}{4}$ " high. Trim strips included.

Prices on Application

National National Co., Inc., Malden, Mass., U.S.A.



Reworked by
PAØPGA

This manual was downloaded from BAMA's
boatanchor site <http://bama.sbc.edu>





K4XL's

BAMA

This manual is provided free of charge from the "Boatanchor Manual Archive", as a service to the Boatanchor community. It was uploaded by someone who wanted to help you repair and maintain your equipment.

If you paid anyone other than **BAMA** for this manual, you paid someone who is making a profit from the free labor of others, without asking their permission

You may pass on copies of this manual to anyone who needs it. But do it without charge.

Thousands of files are available without charge from **BAMA**. Visit us at: <http://bama.sbc.edu>

**Real radio's have tubes!
Keep them glowing !!**

File credits:

**Javier Pedernera
LW2DXX**

This manual is reworked and converted from a BAMA loose pages file to a easy to print manual in PDF format by:

PAØPGA

